

Title: AL0154 Installation

Author: Harmar Engineering

Affected Products: AL-015 requiring 4 Wheel Upgrade

Distribution: Dealer Network, Technical Service

Affected Date Range: April 2017 to present

Estimated Labor Time: 20 minutes

Affected Serial Numbers: All

Tools Required: 7/16" socket and driver / wrench,
 #2 Phillips Screwdriver, Tape Measure

Related Bulletins: N/A

Performance:
 Maintenance Safety Operation Reliability Other: _____

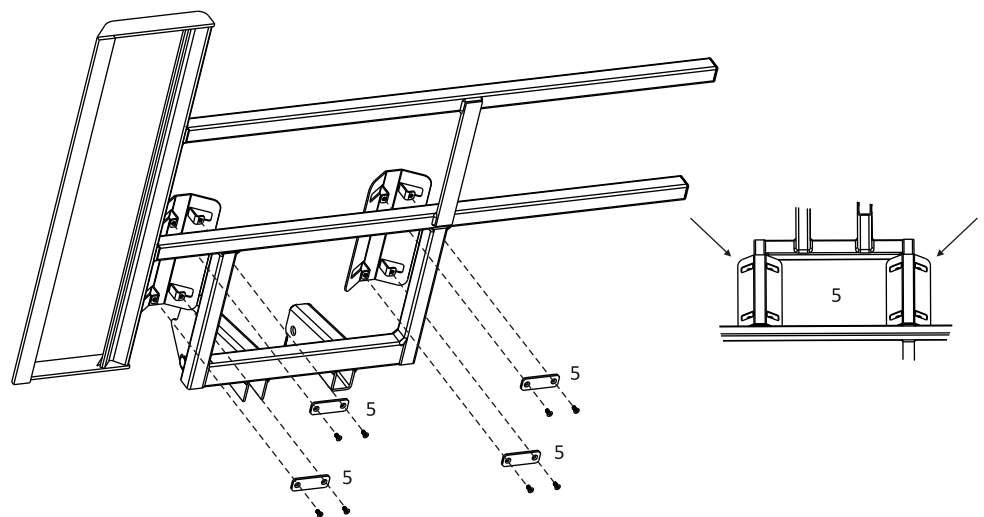
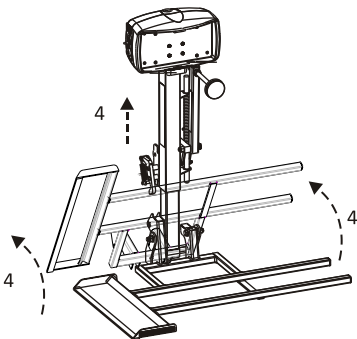
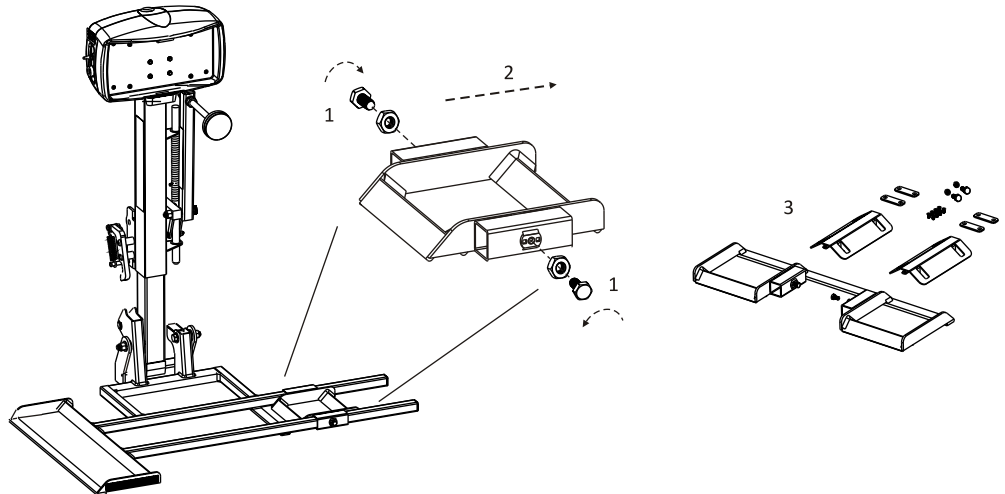
Type:
 Upgrade Repair Retrofit Other: _____

Description: Changing the AL-015 from a Micro 3 wheel scooter lift to a Micro 4 wheel scooter lift.

These instructions cover the specifics of the AL-015 Platform cradle only. Please see the Outside Lift Installation and Owner's Manual for all other installation details.

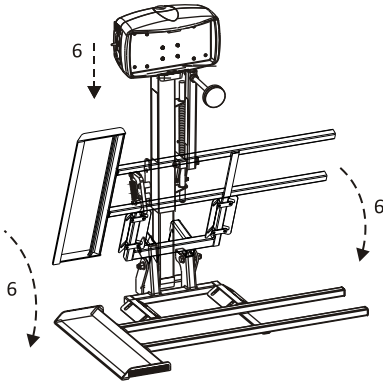
Implementation:

- 1 - LOOSEN 2X HEX HEAD SCREWS FROM EXISTING FRONT CRADLE.
- 2 - REMOVE FRONT 3 WHEEL CRADLE.
- 3 - LOCATE AL0154 KIT.
- 4 - RAISE AND FOLD PLATFORM ABOUT HALF WAY FOR ACCESS TO UNDER SIDE OF PLATFORM.



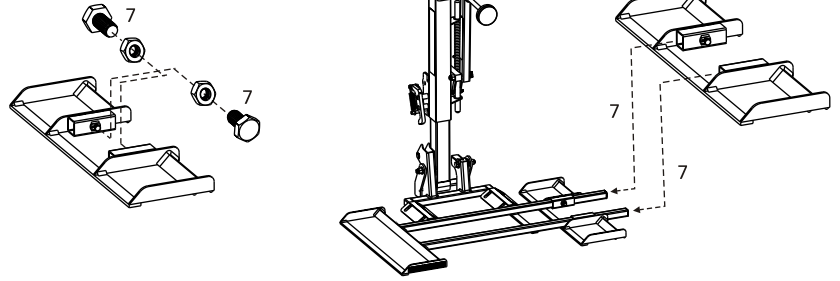
- 5 - ATTACH RAMP AS INDICATED USING 8X PHILLIPS FLAT HEAD SCREWS 8-32 x 3/8" w/ LOCTITE PATCH..

6 - LOWER PLATFORM UNTIL LEVEL.



7 - INSTALL 2X HEX HEAD CAP SCREWS 1/4-28 x 1/2" LONG w/ 1/4-28 THIN/JAM NUTS FROM HARDWARE PACK INTO CRADLE TUBES.

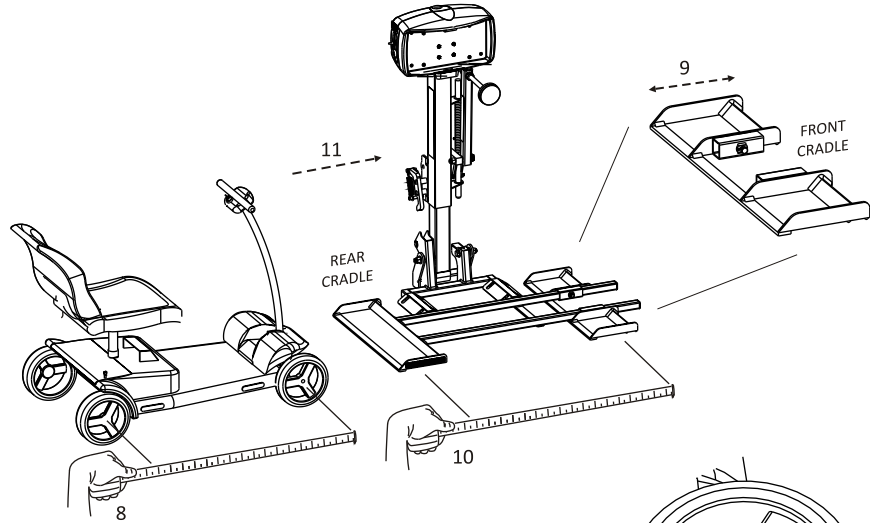
SLIDE 4 WHEEL CRADLE ONTO PLATFORM.



8 - MEASURE THE SCOOTER'S AXLE TO AXLE DISTANCE.

9 - VERIFY FRONT CRADLE IS LOOSE.
 10 - SLIDE THE FRONT WHEEL CRADLE UNTIL CENTER OF FRONT AND CENTER OF REAR CRADLE MATCH AXLE DISTANCE.

11 - DRIVE SCOOTER ONTO PLATFORM.



12 - RAISE PLATFORM, VERIFY REAR WHEELS REST IN FIXED REAR WHEEL CRADLE.

13 - LIFT FRONT WHEELS AND ADJUST WHEEL CRADLE.

14 - SLIDE FRONT WHEEL CRADLE UNTIL SCOOTER FRONT TIRE IS CENTER WITHIN BOTH ANGLE AND FLAT.

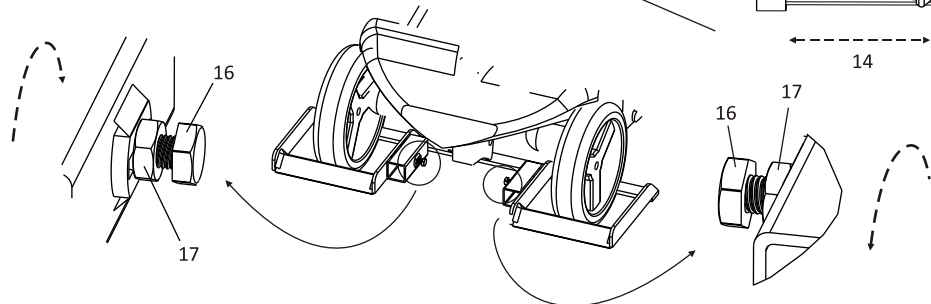
15 - TEST LIFT WITH HOLD DOWN FOOT SEVERAL TIMES. ONCE SATISFIED

16 - THREAD JAM NUT TO TOUCH BOTTOM OF SCREW HEAD.



TIGHTEN SET SCREWS 10-12 FT LBS TO LOCK CRADLE IN PLACE.

17 - TIGHTEN JAM NUTS.



These instructions cover the specifics of the AL-015 Platform cradle only. Please see the Outside Lift Installation and Owner's Manual for all other installation details.

If you have any questions concerning this Technical Bulletin please contact the Harmar Technical Support Department at 800-833-0478