

08/20 - USA



JUNI

INSTRUCTIONS FOR USE

Covers Juni Chair, Booster, Hi Lo Base, Footrest & Table



SECTIONS	PAGE START
1.0 JUNI CHAIR	2
2.0 BOOSTER	21
3.0 HI-LO BASE	37
4.0 FOOTREST	50
5.0 TABLE	59



1.Juni Chair

INSTRUCTIONS FOR USE

Codes 16011 - 16034



CONTENTS	PAGE
1.0 INTRODUCTION	3
2.0 ILLUSTRATION & TECHNICAL DATA	4
3.0 FOR YOUR SAFETY	4
4.0 UNPACKING AND ASSEMBLING YOUR CHAIR	6
5.0 SETTING UP AND ADJUSTING YOUR CHAIR	7
6.0 CARE & MAINTENANCE	16
7.0 WARRANTY & SERVICE	19
8.0 CONTINUOUS IMPROVEMENT	19
9.0 SERVICE INSPECTION	20

1.0 INTRODUCTION

Thank you for choosing your new Smirthwaite Juni Chair.

The Juni has been designed for children who require minimal levels of postural support when seated. It's simple, unobtrusive design style fits well into nursery, school and home environments.



IMPORTANT!

These instructions should be read by all therapists and care givers using the equipment and should be retained for future reference. The product should always be used under adult supervision.

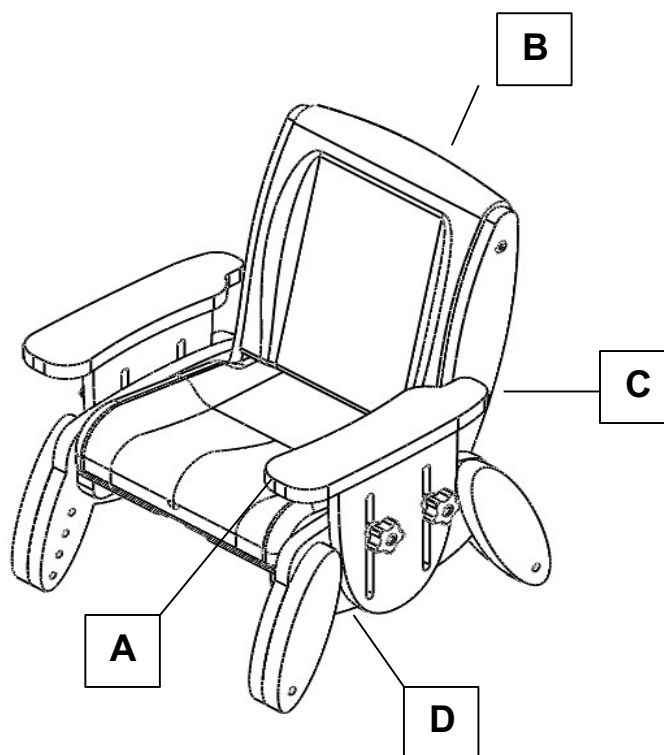
Any incorrect use of the product and failure to follow the instructions may put the user at risk or impede the function. If you have any questions using this product or wish for further copies, please do not hesitate to contact Customer Service department on (1) 212 541 2455.

This product has been designed and manufactured specifically and solely for use by clients with additional needs.



2.0 ILLUSTRATION OF YOUR JUNI CHAIR

- A. Contoured seat
- B. Adjustable backrest
- C. Adjustable armrest
- D. Outrigger legs



2.1 TECHNICAL DATA

all dimensions in inches unless otherwise stated

Size	Height	Width	Depth	Back Height	Back Angle (°)	Weight Limit (lbs)
1	6.3 – 8.7	9.4	7.1 – 9.4	10.2	95/100/105	66
2	7.9 – 11.0	11.0	8.7 – 11.8	11.4	95/100/105	88
3	9.4 – 13.4	12.8	10.2 – 14.2	12.8	95/100/105	110
4	11.8 – 15.7	14.4	12.6 – 16.5	15.7	95/100/105	132

3.0 FOR YOUR SAFETY




STOP!

Please read these instructions CAREFULLY and THOROUGHLY

- The user should NOT be left unattended while using the chair. Always ensure a responsible adult or care giver is in attendance.
- The care giver should be familiar with the methods of adjustment and have completed all adjustments appropriately to meet the needs of the child before use.
- Regular maintenance checks and cleaning are essential for the safe use of this equipment (see care and maintenance section).



- If any part is loose, damaged or functioning incorrectly, do not use until rectified.
- Always fasten the pelvic strap and any other straps provided.
- The mobile base accessory is for indoor use ONLY.
- Regularly check that straps or harnesses are not showing any signs of tearing or fraying and that they fasten correctly.
- Ensure that all screws and handwheels are securely tightened and that none are missing.
- Always keep this product away from flames, cigarettes and sources of heat including open fireplaces, radiators, heaters.
- The chair is ONLY to be used on a flat level surface.
- DO NOT fit parts or accessories of other manufacturers to this product unless authorized to do so in writing by Smirthwaite USA LLC. Failure to follow these instructions will not only invalidate the guarantee but could make the chair dangerous to use. Smirthwaite USA LLC will not accept liability for any injury or damage incurred through such malpractices. Any repairs required must be carried out by Smirthwaite USA LLC authorized personnel.

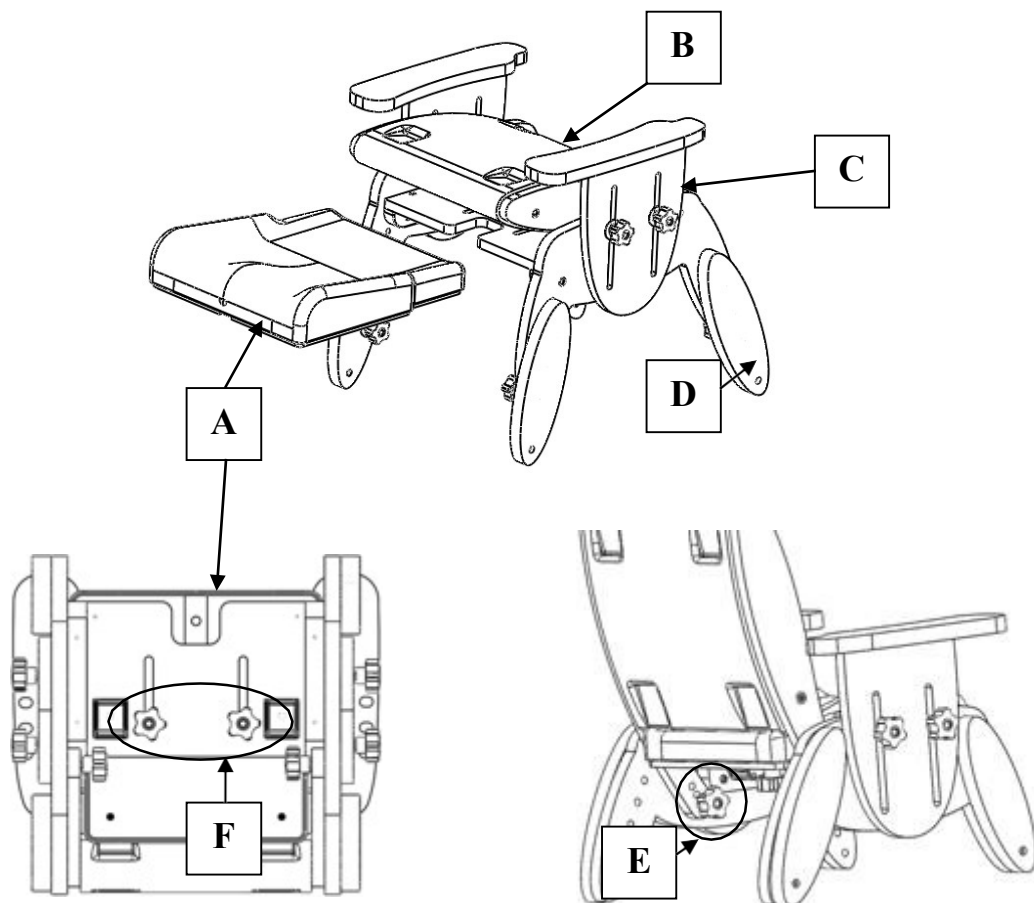
	STOP!
<p>LAP STRAPS & HARNESSSES SAFETY NOTICE</p> <p>Lap straps and harnesses must be appropriate and safe for the user and the users clothing.</p> <p>Lap straps and harnesses must be checked every time the chair is used to ensure they are fitted as prescribed by the clinician, take account of the users clothing and are tightened so that the user cannot sustain injury.</p> <p>Checking the fit of lap straps and harnesses must be done with the user in the chair and should be undertaken as soon as the users sits in the chair.</p>	

If you believe this product to be faulty - DO NOT USE - contact Smirthwaite USA LLC on (1) 212 541 2455.



4.0 UNPACKING AND ASSEMBLING YOUR CHAIR

- The Juni chair is supplied either fully assembled or in part assembled form, for the customer to undertake final assembly – see guide below. For a detailed guide refer to Section 5.
- A part assembled Juni is supplied with the seat cushion (A) removed and the back cushion fully rotated forward (B). The back cushion is held secure for transport by setting each armrest (C) in a low position once the back cushion has been rotated forward. Leg outriggers (D) are set to minimum height as standard.
- No tools are required to finalize assembly, simply use the handwheels and washers provided.
- Firstly, loosen the handwheels securing each armrest, and raise them to permit the back cushion to be rotated to vertical or slight rearward recline. Insert a handwheel and washer (E) in each chair side.
- Offer up the seat cushion (A) to the Juni chair and secure using two handwheels and washers (F) on the underside of the chair.



5.0 SETTING UP AND ADJUSTING YOUR JUNI CHAIR



STOP!

If in any doubt, **ALWAYS** seek **ADVICE**.

Always turn handwheels and screws clockwise to tighten or anti-clockwise to loosen. The chair must be fully adjusted by a therapist or trained representative before use.

A hexagon key is provided for adjustments.



IMPORTANT!

The chair should be fully adjusted to fit the child before use.

5.1 SEAT

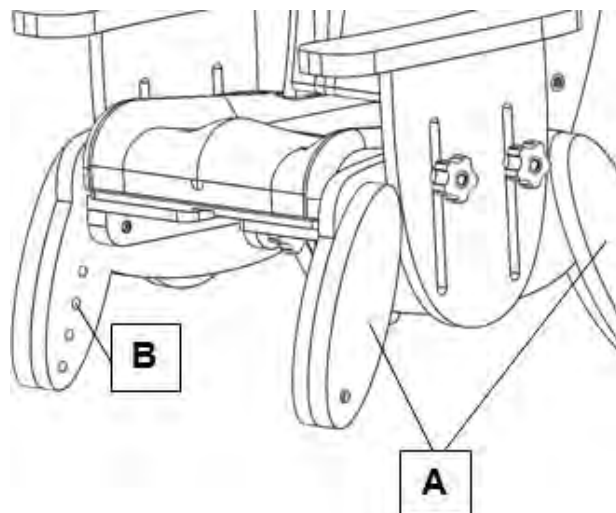
5.1.1 SEAT ADJUSTMENTS

Five adjustments can be made to the seat; height, depth, width, back recline and back lumbar support adjustment.

5.1.2 HEIGHT

To adjust seat height:

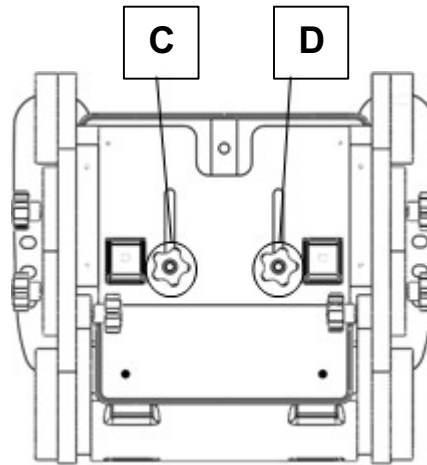
- Your Juni chair is fitted with four outrigger legs (A), permitting seat height adjustment.
- To adjust, lay the chair on its back.
- For each outrigger, identify and remove the securing screw (M6 x 30) (B) to permit outrigger removal.
- Position each outrigger leg to the desired height.
- Insert and tighten each securing screw to affix leg outrigger in place.
- Ensure all 4 legs are set to the same height.



5.1.3 DEPTH

To adjust seat depth:

- Loosen handwheels (C) and (D).
- Slide seat forwards or backward to desired position.
- Tighten handwheels (C) and (D).



5.1.4 WIDTH

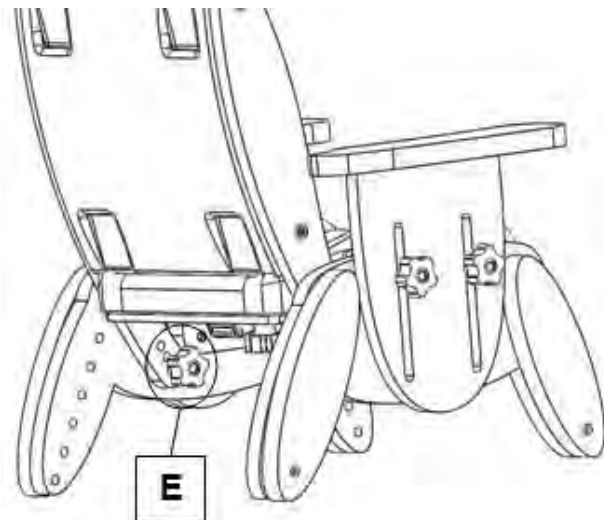
To reduce seat width or to provide additional support:

- 0.9in and 1.9in width trunk support cushions can be supplied.
- Cushions are secured to the inside face of the arm rest wood, using the Velcro strips provided.

5.1.5 BACK RECLINE

To adjust seat back recline angle:

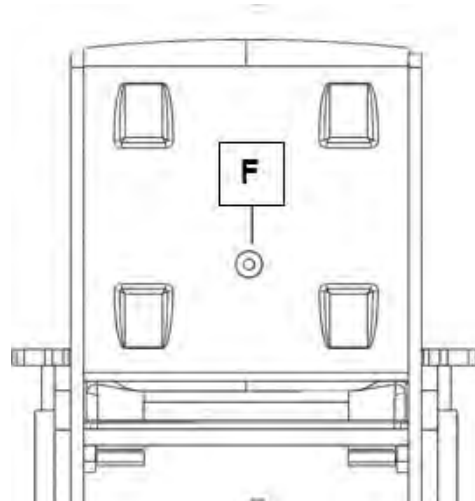
- Locate and remove the two handwheels securing the seat back recline angle (E).
- The Juni seat back can be reclined in steps of 5° from 95° through to 105°.
- When the desired back recline angle has been achieved, simply insert and tighten the two handwheels (E).



5.1.6 BACK LUMBAR PROMPT

To adjust seat back lumbar prompt:

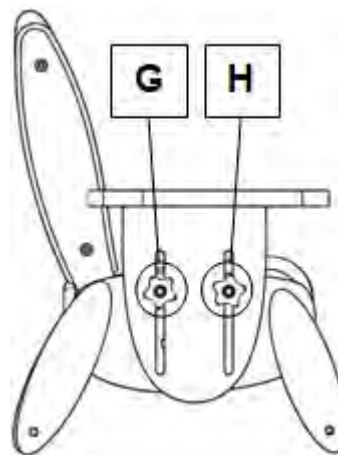
- To adjust the lumbar prompt, insert the hex head tool (as supplied) into rear of the Juni seat back (F), and rotate to achieve the desired amount of prompt.



5.2 ADJUSTABLE ARMREST

To adjust armrest height:

- Loosen hand wheels and washers (G, H).
- Slide arm rest up or down to the desired position.
- Tighten hand wheels (G, H).
- Repeat on opposite side of chair.
- Ensure arm rests are at the same height and horizontal – this is particularly important if the chair is to be used with the tray accessory.

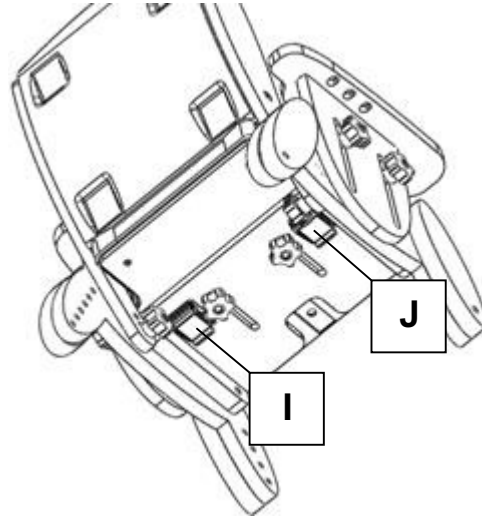


5.3 STRAPS & HARNESSING

Information on the operation of buckles and cam-locks can be found below.

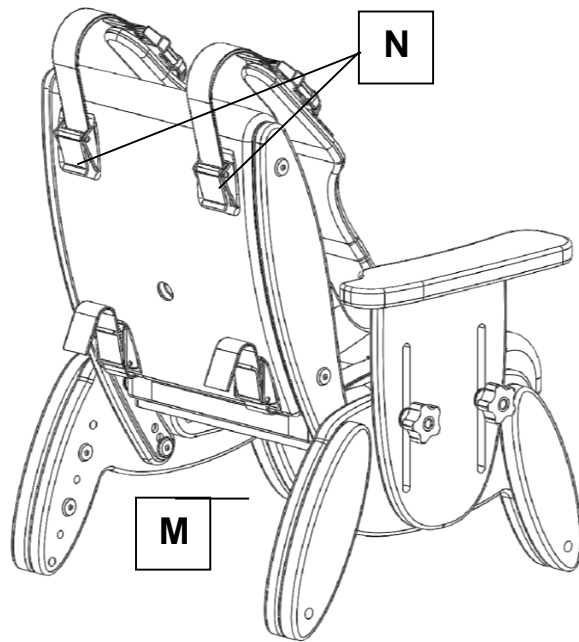
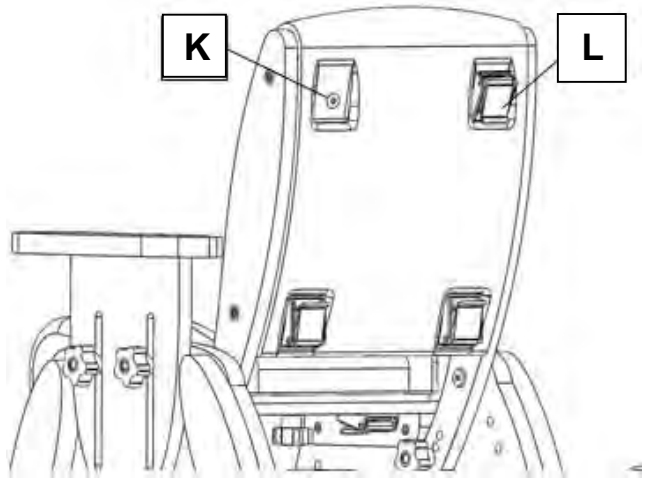
5.3.1 PELVIC STRAP

- The pelvic strap is secured to the seat by two cam-lock mechanisms, located under the seat base (I, J).
- To adjust the strap for growth, simply lift each cam-lock to release, adjust the strap appropriately and then close each cam-lock.



5.3.2 4-POINT HARNESS

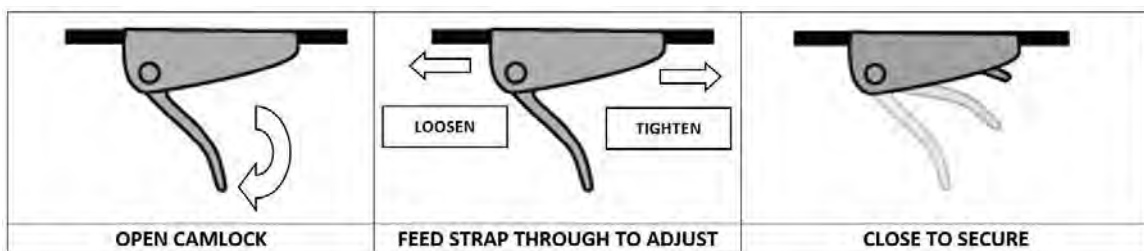
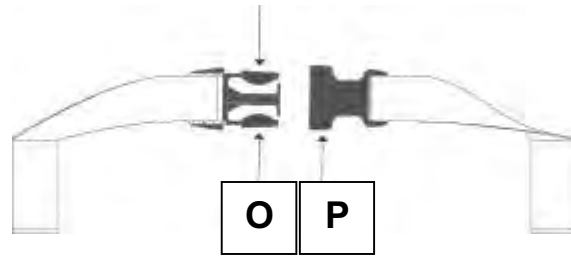
- The rear of the Juni seat back has 4 recesses that are designed to locate fixing cam-locks for the four-point harness.
- Take a sharp implement and pierce each recess where the 'dimple' is visible on the surface (K).
- Offer up a cam-lock and using an M6 screw, fasten the cam-lock to the seat.
- Repeat for the 3 remaining cam-locks (L).
- Feed the lower two straps between the back and the base of the chair.
- Pull these straps through the two lower cam-locks on the back of the chair (M).
- Pull the two upper straps over the back of the chair and through the two upper cam-locks on the back of the chair (N).
- Secure in place by closing the cam-locks.



5.1.5.3 STRAP OPERATION

BUCKLE STRAP (STANDARD)

- The buckle is secured by pushing (O) into (P).
- To release the buckle, press both sides of (O).
- The strap length can be altered by adjusting the cam-locks. See diagrams below.



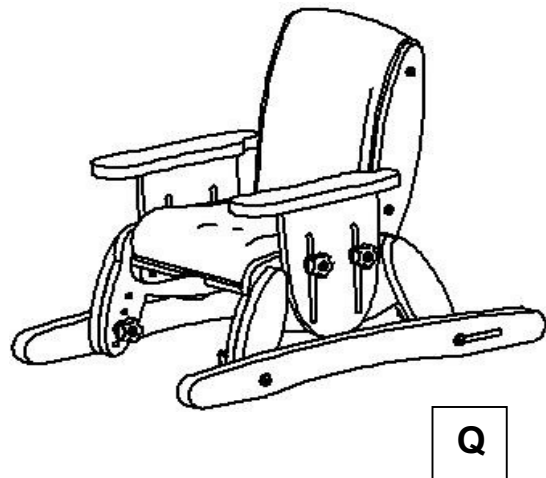
5.4 TRAY ACCESSORY

- Check armrests are set to the same height, and are securely tightened.
- Slide the tray onto the armrests, to the desired position – the tray will automatically lock into position.
- To remove tray, pull the quick release lever on the underside of the tray, and pull the tray forward.
- Ensure the protective film on the tray is removed before use.



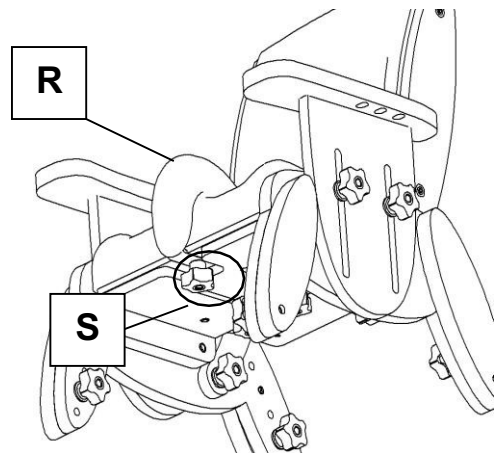
5.5 SKI ACCESSORY

- The static ski accessory is fixed to the Juni chair by 4 x M6 screws (Q), which locate through each Juni chair outrigger.
- A slot is designed into the rear of each static ski, this facilitates ski fitment if height of chair is adjusted.
- Ensure the screws are tight at all times.
- A variant of the Ski Accessory incorporating a footboard is available (Codes SK111 to SK114). Attachment is identical to the static ski.



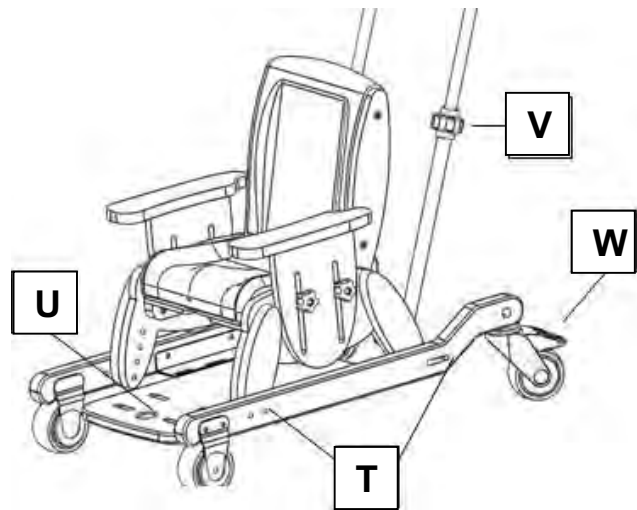
5.6 POMMEL ACCESSORY

- The Pommel accessory (R) slides over the front of the seat cushion and is fixed to the Juni using the supplied hand wheel (S).
- The Pommel can remain in place when the seat depth is adjusted.



5.7 MOBILE BASE, RETRACTABLE FOOTBOARD AND HEIGHT ADJUSTABLE HANDLE ACCESSORIES

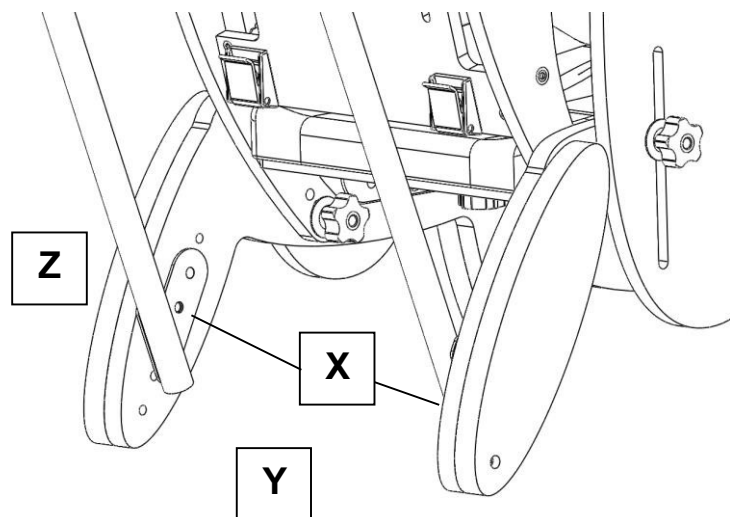
- The mobile base accessory is fixed to the Juni chair by 4 x M6 screws (T), which locate through each Juni chair outrigger.



- The rear casters can be locked by applying pressure to the foot lever (W). An adjustable height handle accessory is available, with soft grip. The height can be adjusted by unlocking clamps (V), adjust to the desired height, and then retightening the clamps (V).

- The Retractable footboard accessory permits easy transfer into the chair. To retract the footboard, simply press the Red button (U) and push the board rearwards.

- The adjustable handle is secured to the inside face of the rear Juni legs.



- Remove the M6 screw (X) that fixes the out rigger (Z) to the main leg assembly (Y).
- Offer up the handle bracket, and re-insert the M6 screw (X), securing both the bracket and out rigger back into place.
- Repeat for the second rear leg.




5.9 FOOTBOARD RAISERS

- Footboard raisers are available for both the retractable footboard (codes DL111 to DL114) and the ski with footboard accessory (SK111 to SK114).
- Raisers are available in 0.4in (RA049 to RA052) and 0.9in thickness (RA045 to RA048).
- The raisers simply screw to the footboards with the screws provided.
- Raisers can be stacked together to increase the total raiser height.



6.0 CARE AND MAINTENANCE

All our wooden chairs are easy to clean. Each chair has anti-bacterial properties, ensuring that surfaces are kept hygienic to reduce any risk of cross infection.

	IMPORTANT!
	Cleaning is recommended on a regular basis

- Clean upholstery and wooden parts with a damp cloth and mild detergent.
- Stubborn marks on the woodwork should be cleaned by using a soft brush.
- Do not soak or immerse the chair in water.
- The pelvic strap can be cleaned with a damp cloth. In cases of extreme soiling it can be machined washed at low temperature with mild detergent but must be drip dried.
- Store the chair in a cool dry place out of direct sunlight.
- DO NOT use bleach, solvents, abrasives, synthetic detergents, wax polishes, antibacterial sprays or wipes.

6.1 DAILY CHECKS

- Check the tray (if supplied) to ensure no parts are loose or damaged.
- Check all upholstery for signs of wear and tear.
- Check that the hand wheels tighten correctly, and are not cross-threaded or damaged.
- Check all straps for fraying, and that buckles are not missing/damaged.

	STOP!
	The user should not be seated while the checks are carried out.

6.2 SERVICE INTERVAL

The Juni chair should be serviced every 3 years. Servicing must only be undertaken by Smirthwaite USA LLC authorized personnel.



6.3 NOMINAL SERVICE LIFE

Your product has a nominal service life of 12 years, during which full post-sales support will be available with regard to parts and servicing.

Product service life has been determined based upon the design complexity of product, and the anticipated exposure to normal use.

Good practice dictates all Smirthwaite USA LLC products have been designed and manufactured to high levels of safety and quality, and will meet requirements of normal use when maintained in line with our servicing recommendations.



STOP!

If the product has been out of use for an extended period of time (6 months or more) it should always be serviced prior to being reissued.

If the product has been subjected to 'heavy' or 'constant' use, the service should be reduced to half the recommended period.

Constant and/or heavy use is considered to be:

- Daily use above 7 hours duration.
- Weekly use above 5 days duration.
- Monthly use above 10 months per year.
- Use by a client who is at 90% to 100% of the maximum weight limit of the product. The maximum weight limit must **NEVER** be exceeded.
- Use by a client who is extremely active, either voluntarily or involuntarily.



6.4 EXTENDING NOMINAL SERVICE LIFE

At Smirthwaite USA LLC we are proud to produce products that have a reputation for quality and durability.

We believe our products have the potential to provide benefits to our clients beyond the nominal service life documented above.

We will continue to provide full support beyond the nominal service life provided the following conditions are met:

1. A full service schedule has been maintained (please refer to Page 18).
2. A full service and inspection is undertaken at the end of the nominal service life period.
3. The product is subsequently serviced annually (or biannually if under 'heavy/constant' use conditions).
4. Smirthwaite USA LLC reserve the right to limit support where parts/components are no longer available.

6.5 DOCUMENTATION/RECORDS

- It is the responsibility of the current equipment owner to ensure the 'Instructions for Use' manual and any further manuals for accessories fitted to the equipment are handed over to the new owner at the time of exchange/sale.
- It is the responsibility of the current equipment owner to ensure the service and inspection record form is kept up to date.

6.6 PRODUCT CONFIGURATION

- Smirthwaite USA LLC will document and maintain a record of the original product configuration at the time of first sale.
- Smirthwaite USA LLC will not be held responsible for any subsequent changes to this configuration unless authorized to do so in writing by Smirthwaite USA LLC.
- It is the equipment owner's responsibility to maintain their own records of changes to the equipment configuration and to be able to provide such records to subsequent owners to maintain traceability.
- We recommend an inspection/service by Smirthwaite USA LLC authorized personnel whenever a significant change is made to product configuration to ensure the product is safe to use. **If in any doubt, ALWAYS seek ADVICE.**





IMPORTANT REMINDER!

DO NOT fit parts or accessories of other manufacturers to this product unless authorized to do so in writing by Smirthwaite USA LLC.

Any servicing or repairs required must be carried out by Smirthwaite USA LLC authorized personnel.

If you believe this product to be faulty – DO NOT USE – Contact Smirthwaite on (1) 212 541 2455.

If in any doubt, ALWAYS seek ADVICE.

7.0 WARRANTY

Smirthwaite warrants the products detailed on your order to be free from defects in materials and workmanship for a period of 2 years from date of delivery. If a fault develops during this period, please contact the Customer Service team by email info@smirthwaite.com or phone (1) 212 541 2455 who will advise you on the best course of action.

The warranty excludes faults due to accident, neglect, misuse, not following the Instructions and normal wear and tear. This guarantee is in addition to your legal rights. A charge may be made where the goods cannot be repaired under the warranty. You will be advised before this is made.

8.0 CONTINUOUS IMPROVEMENT

Smirthwaite is committed to continuous improvement to its product range. Should you have any suggestions or comments please send them to our product design department at: info@smirthwaite.com

Smirthwaite reserves the right to change the specification or material without prior notice.

For catalogs, help and further information on our products please contact us at:

Smirthwaite USA LLC
405 Lexington Avenue
26th Floor
New York
NY10174

e.info@smirthwaite.com
t.(1) 212 541 2455



9.0 SERVICE INSPECTION

9.1 Product Information

Model:	
Size:	
Date of Manufacture:	
Serial Number:	
Final Inspection:	

9.2 Service & inspection record form:

Date	Procedure	Service Personnel



2.JUNI BOOSTER

INSTRUCTIONS FOR USE

Hi Booster Codes: JB112, JB122, JB212, JB222, JB312, JB322, JB412, JB422

Lo Booster Codes: JB111, JB121, JB211, JB221, JB311, JB321 JB411, JB421



CONTENTS	PAGE
1.0 INTRODUCTION	22
2.0 ILLUSTRATION & TECHNICAL DATA	23
3.0 FOR YOUR SAFETY	24
4.0 UNPACKING AND ASSEMBLING YOUR JUNI BOOSTER	25
5.0 SETTING UP AND ADJUSTING YOUR JUNI BOOSTER	26
6.0 CARE & MAINTENANCE	32
7.0 WARRANTY & SERVICE	35
8.0 CONTINUOUS IMPROVEMENT	35
9.0 SERVICE INSPECTION	36

1.0 INTRODUCTION

Thank you for choosing the Smirthwaite Juni Booster product.

The Juni Booster has been designed to provide a quick and simple way to achieve extra height for your child.

The Hi Booster is perfect for a breakfast bar or feeding your child while standing.

The Lo Booster has been designed to enable a child to be included at the dinner table during mealtimes.



IMPORTANT!

These instructions should be read by all therapists and care givers using the equipment and should be retained for future reference. The product should always be used under adult supervision.

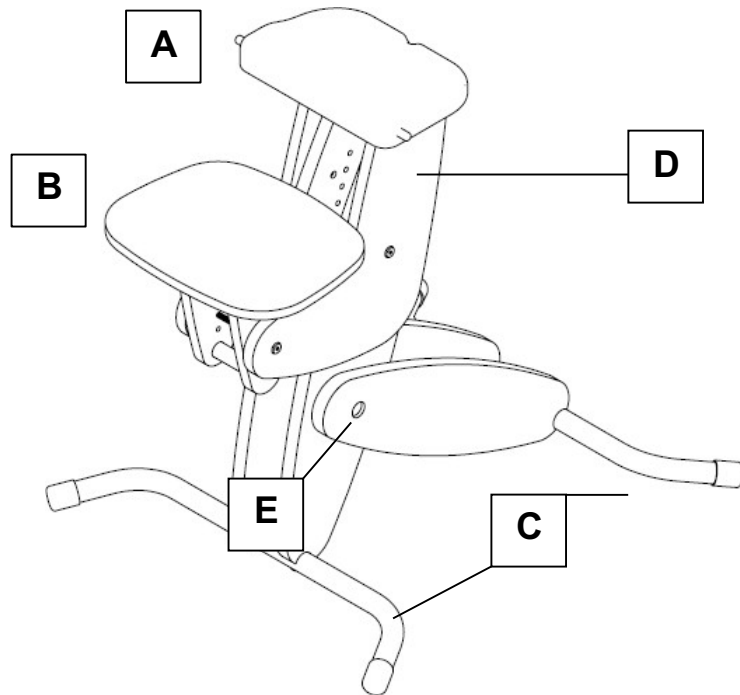
Any incorrect use of the product and failure to follow the instructions may put the user at risk or impede the function. If you have any questions using this product or wish for further copies, please do not hesitate to contact Customer Service department on (1) 212 541 2455.

This product has been designed and manufactured specifically and solely for use by clients with special needs.



2.0 ILLUSTRATION OF YOUR JUNI BOOSTER

- A. Seat interface plate
- B. Footplate
- C. Metal Legs
- D. Head assembly
- E. Button to fold



2.1 TECHNICAL DATA

all dimensions in inches unless otherwise stated

Size	Seat Height	Footprint when open	Folded size	Max user weight (lbs)	Product weight (lbs)
Lo booster	26.4 – 30.3	20.5 x 20.5	20.5 x 13.4 x 27.6	88	15
Hi booster	34.3 – 38.2	20.5 x 25.2	20.5 x 16.5 x 36.6	97	18



3.0 FOR YOUR SAFETY



STOP!

Please read these instructions CAREFULLY and THOROUGHLY.

- The user should **NOT** be left unattended while in the product. Always ensure a responsible therapist or care giver is in attendance.
- The care giver should be familiar with the methods of adjustment and have completed all adjustments appropriately to meet the needs of the child before transferring the child onto the product.
- Regular maintenance checks and cleaning are essential for the safe use of this equipment (see care and maintenance section).
- Ensure that all nuts, bolts and hand wheels are securely tightened and that none are missing.
- The Booster is **ONLY** to be used indoors on a flat level surface.
- Always fasten the 5 Point Harness and any other straps provided with the product or matching Juni Chair.
- Always keep this product away from flames, cigarettes and sources of heat including open fireplaces, radiators and heaters.
- **DO NOT** fit parts or accessories of other manufacturers to this product unless authorized to do so in writing by Smirthwaite USA LLC. Failure to follow these instructions will not only invalidate the guarantee but could make the product dangerous to use. Smirthwaite USA LLC will not accept liability for any injury or damage incurred through such malpractices.
- Any repairs required must be carried out by Smirthwaite USA LLC authorized personnel. If you believe the product or any fitted accessory to be faulty at any time, **DO NOT USE** – contact Smirthwaite by telephone on (1) 212 541 2455.



4.0 UNPACKING AND ASSEMBLING YOUR JUNI BOOSTER

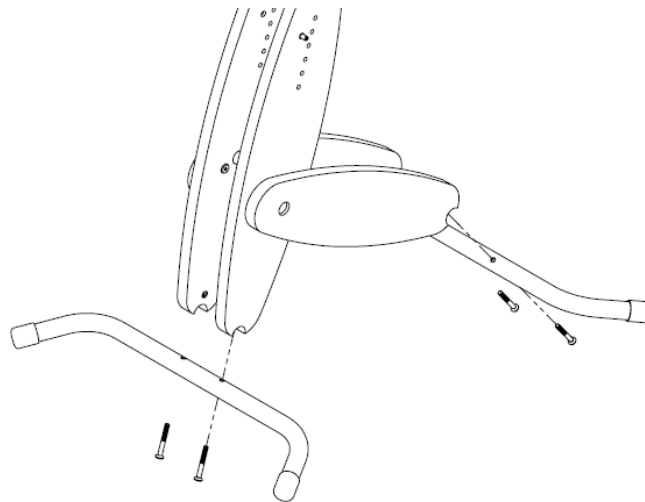


STOP!

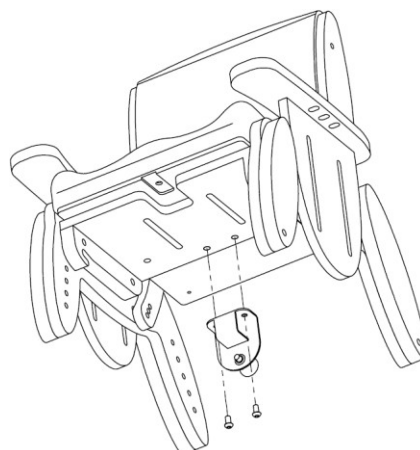
If in any doubt, ALWAYS seek ADVICE.

Always turn hand wheels, levers and screws clockwise to tighten or anti-clockwise to loosen.

- When delivered, the product will be supplied fully assembled except for the attachment of the front and rear metal legs.
- To complete the Booster assembly, simply offer up the metal legs to the Booster and insert 4 x M6x50 screws, as shown below.



- The seat bracket provided should be fixed to the rear underside of your Juni chair as shown below by inserting 2 x M6x12 screws.
- Ensure all screws are tightened before use.



STOP!

If you believe this product to be faulty – DO NOT USE – contact Smirthwaite on (1) 212 541 2455



5.0 SETTING UP AND ADJUSTING YOUR JUNI BOOSTER



STOP!

If in any doubt, **ALWAYS** seek **ADVICE**.

Always turn hand wheels, levers and screws clockwise to tighten or anti-clockwise to loosen.

5.1 ADJUSTMENTS

Two adjustments can be made to the Juni Booster; chair height and footplate height.

5.1.1 CHAIR HEIGHT

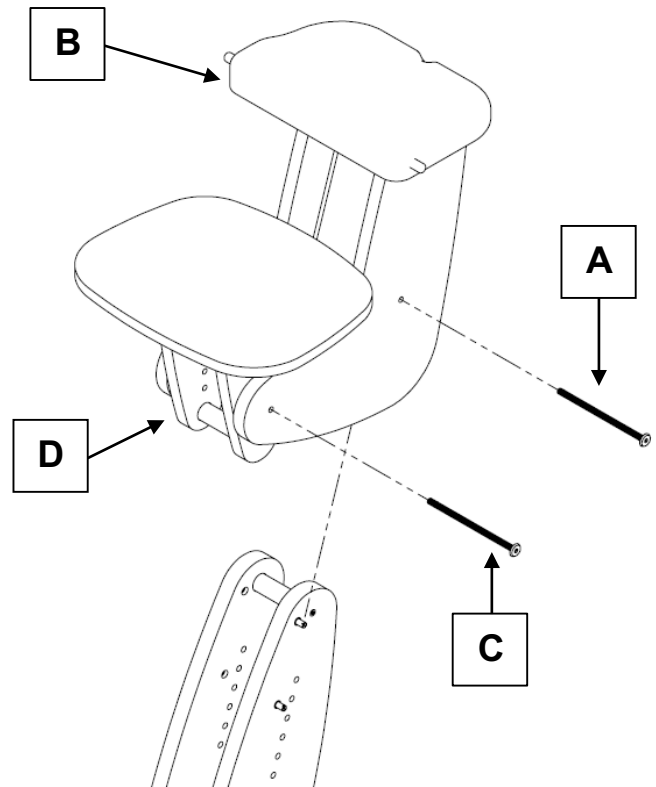
To raise or lower the Juni chair height when attached to the Booster:

- Remove screw (A) and slide the head assembly (B) to the desired height before re-inserting and tightening screw (A).

5.1.2 FOOTPLATE HEIGHT

To raise or lower the footplate once attached to the Juni Booster:

- Remove screw (C) and slide the footplate assembly (D) to the desired height before re-inserting and tightening screw (C).



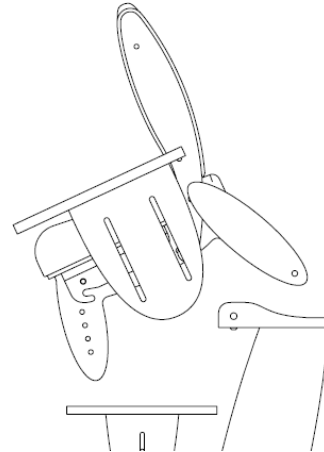
5.2 ATTACHING YOUR JUNI CHAIR TO YOUR JUNI BOOSTER



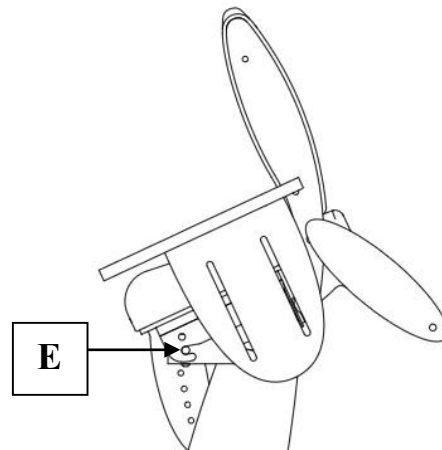
STOP!

NEVER undertake these steps with a child in the Juni Chair

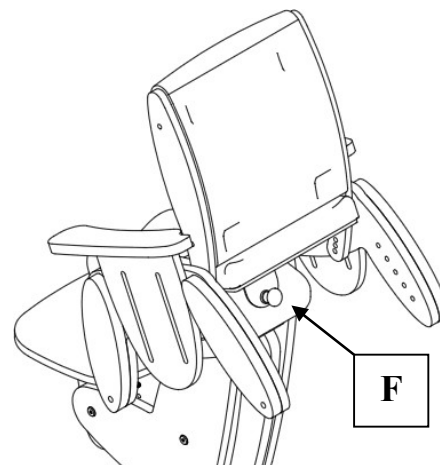
- Offer up the Juni chair to the seat interface plate as shown opposite.



- The chair seat batten should hook over two metal pins (E) on the seat interface plate (one each side).
- Double check the metal pins are both engaged into the chair battens before proceeding further.



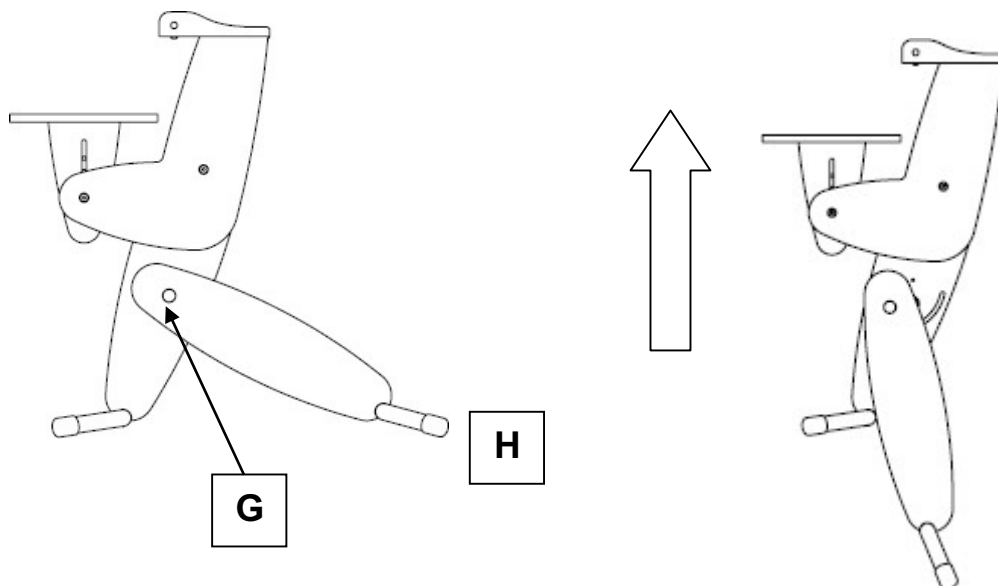
- Rotate the chair to the horizontal, and ensure the safety catch (F) clicks/locks onto the Juni Booster seat interface plate.
- Double check engagement by trying to remove the chair; it should **NOT** be possible to remove the chair without firstly pulling safety catch (F) to release.



5.3 FOLDING THE JUNI BOOSTER

The Juni Booster can be folded to aid storage and transport.

- Do **NOT** attempt to fold the Juni Booster while a Juni chair is attached.
- Locate and depress the red button (G) on the main booster leg.
- Lightly place one foot on the rear metal tubular leg (H).
- Lift vertically as shown.
- The Juni Booster will now fold.
- The red button (G) will remain depressed during the folding process and while folded.
- The red button (G) will 'pop' out flush when the Juni Booster is unfolded and the mechanism is locked – **ALWAYS** ensure the mechanism is locked before attaching the Juni chair.



5.4 FIVE POINT HARNESS



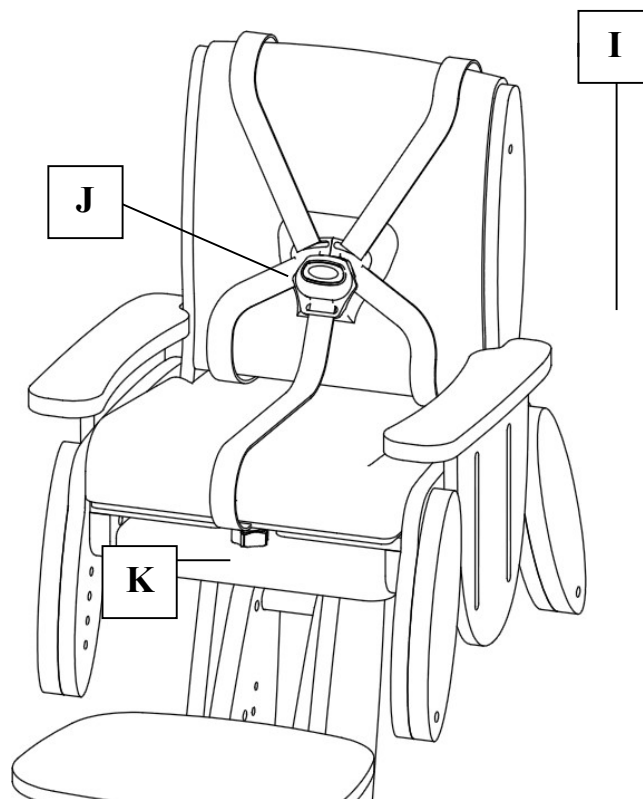
STOP!

We **STRONGLY** recommend the use of the supplied Five Point Harness at all times when attaching a Juni Chair to a Juni Booster.

Each Juni Booster comes complete with a padded five-point buckle harness.

This should be attached to the Juni Chair that is intended for use with the Juni Booster.

5.4.1 ILLUSTRATION OF THE FIVE POINT HARNESS



I. Rear straps(x4)

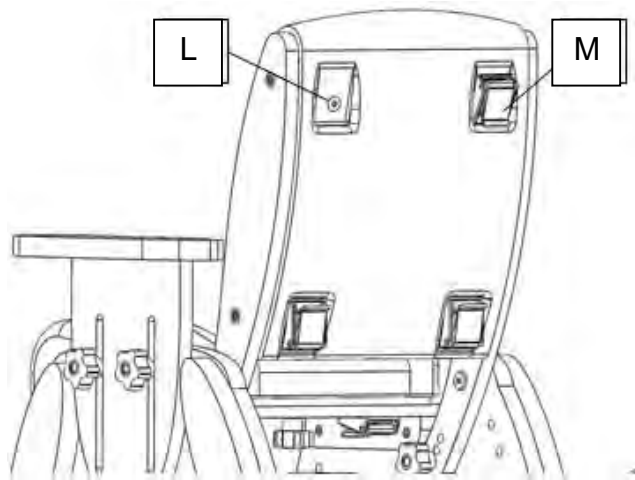
J.Center buckle

K. Handwheel for center strap



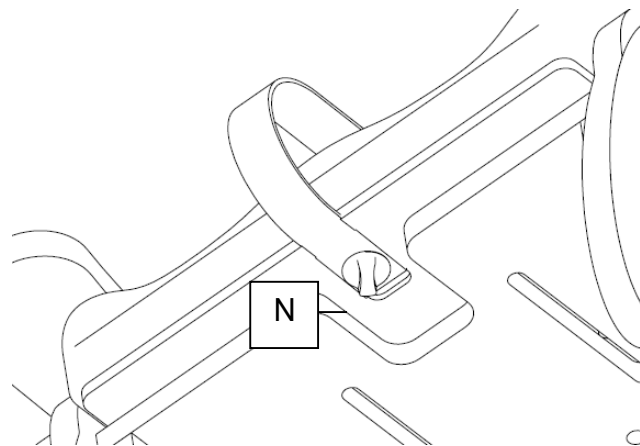
5.4.2 FITTING THE FIVE POINT HARNESS

- The rear of the Juni seat back has 4 recesses that are designed to locate fixing cam-locks for the five-point harness.
- Take a sharp implement and pierce each recess where the 'dimple' is visible on the surface (L).
- Offer up a cam-lock and using an M6 screw, fasten the cam-lock to the seat.



- Repeat for the 3-remaining cam-locks (M).
- The 4 Rear straps can now be fed through the cam-locks and secured.

- The center strap is secured on the underside of the Juni seat (as shown opposite).
- Use the M6 x 20 White winged handwheel provided to secure the center strap into place (N).
- Several eyelets are available in the strap – pick the most appropriate for the client.



- Once all straps are fitted, adjust to suit the specific needs of your client.




STOP!


The Five Point harness should replace all other harnesses supplied with the Juni Chair when used with the Juni Booster.



5.4.3 USING THE FIVE POINT HARNESS


- The center strap (secured to the underside of the Juni chair) should remain closed at all times.
- To fasten the harness, take each shoulder strap and group together before simply clicking into the buckle.
- To release, simply press the red button on the buckle.

	IMPORTANT!
	In the unlikely event that the buckle becomes damaged and does not release when the red button is pressed, it is possible to remove the client quickly from the Juni chair by releasing/unlocking the cam-locks at the rear of the chair.

	STOP!
	LAP STRAPS & HARNESES SAFETY NOTICE Lap straps and harnesses must be appropriate and safe for the user and the users clothing. Lap straps and harnesses must be checked every time the chair is used to ensure they are fitted as prescribed by the clinician, take account of the users clothing and are tightened so that the user cannot sustain injury. Checking the fit of lap straps and harnesses must be done with the user in the chair and should be undertaken as soon as the users sits in the chair.



6.0 CARE AND MAINTENANCE

	IMPORTANT! CLEANING IS RECOMMENDED ON A REGULAR BASIS
---	--

- Clean wooden and metal parts with a damp cloth and mild detergent.
- Stubborn marks on the woodwork should be cleaned using a soft brush.
- Do not soak or immerse the product in water.
- The Five Point Harness can be cleaned with a damp cloth. In cases of extreme soiling it can be machined washed at low temperature with mild detergent but must be drip-dried.
- Store the product in a cool dry place and out of direct sunlight.
- DO NOT use bleach, solvents, abrasives, synthetic detergents, wax polishes, antibacterial sprays or wipes.

6.1 DAILY CHECKS

- Check for signs of wear, tear or damage.
- Check for missing parts.
- Check that all screws are present and tighten correctly, and are not cross-threaded or damaged.
- Check all straps for fraying, and that buckles are not missing/damaged.
- Always check the Juni Chair can be securely fixed to the Juni Booster **before** sitting a child into the chair. Check the fixing pins are present and secure on the seat interface plate, and that the rear safety catch operates correctly.

6.2 SERVICE INTERVAL

The Juni Booster should be serviced every 3 years. Servicing must only be undertaken by Smirthwaite USA LLC authorized personnel.



6.3 NOMINAL SERVICE LIFE

Your product has a nominal service life of 12 years, during which full post-sales support will be available with regard to parts and servicing.

Product service life has been determined based upon the design complexity of product, and the anticipated exposure to normal use.

Good practice dictates all Smirthwaite USA LLC products have been designed and manufactured to high levels of safety and quality, and will meet requirements of normal use when maintained in line with our servicing recommendations.



STOP!

If the product has been out of use for an extended period of time (6 months or more) it should always be serviced prior to being reissued.

If the product has been subjected to 'heavy' or 'constant' use, the service should be reduced to half the recommended period.

Constant and/or heavy use is considered to be:

- Daily use above 7 hours duration.
- Weekly use above 5 days duration.
- Monthly use above 10 months per year.
- Use by a client who is at 90% to 100% of the maximum weight limit of the product. The maximum weight limit must **NEVER** be exceeded.
- Use by a client who is extremely active, either voluntarily or involuntarily.



6.4 EXTENDING NOMINAL SERVICE LIFE

At Smirthwaite USA LLC we are proud to produce products that have a reputation for quality and durability.

We believe our products have the potential to provide benefits to our clients beyond the nominal service life documented above.

We will continue to provide full support beyond the nominal service life provided the following conditions are met:

- A full-service schedule has been maintained. (Please refer to Page 17).
- A full service and inspection is undertaken at the end of the nominal service life period.
- The product is subsequently serviced annually (or biannually if under 'heavy/constant' use conditions).
- Smirthwaite USA LLC reserve the right to limit support where parts/components are no longer available.

6.5 DOCUMENTATION/RECORDS

- It is the responsibility of the current equipment owner to ensure the 'Instructions for Use' manual and any further manuals for accessories fitted to the equipment are handed over to the new owner at the time of exchange/sale.
- It is the responsibility of the current equipment owner to ensure the service and inspection record form is kept up to date.

6.6 PRODUCT CONFIGURATION

- Smirthwaite USA LLC will document and maintain a record of the original product configuration at the time of first sale.
- Smirthwaite USA LLC will not be held responsible for any subsequent changes to this configuration unless authorized to do so in writing by Smirthwaite USA LLC.
- It is the equipment owner's responsibility to maintain their own records of changes to the equipment configuration and to be able to provide such records to subsequent owners to maintain traceability.
- We recommend an inspection/service by Smirthwaite USA LLC authorized personnel whenever a significant change is made to product configuration to ensure the product is safe to use. **If in any doubt, ALWAYS seek ADVICE.**





IMPORTANT REMINDER!

DO NOT fit parts or accessories of other manufacturers to this product unless authorized to do so in writing by Smirthwaite USA LLC.

Any servicing or repairs required must be carried out by Smirthwaite USA LLC authorized personnel.

If you believe this product to be faulty – DO NOT USE – Contact Smirthwaite on T: (1) 212 541 2455.

If in any doubt, ALWAYS seek ADVICE.

7.0 WARRANTY & SERVICE

Smirthwaite warrants the products detailed on your order to be free from defects in materials and workmanship for a period of 2 years from date of delivery. If a fault develops during this period, please contact the Customer Service team by email info@smirthwaite.com or phone (1) 212 541 2455 who will advise you on the best course of action.

The warranty excludes faults due to accident, neglect, misuse, not following the instructions and normal wear and tear. This guarantee is in addition to your legal rights. A charge may be made where the goods cannot be repaired under the warranty. You will be advised before this is made.

8.0 CONTINUOUS IMPROVEMENT

Smirthwaite is committed to continuous improvement to its product range. Should you have any suggestions or comments please send them to our product design department at: info@smirthwaite.com

Smirthwaite reserves the right to change the specification or material without prior notice.

For catalogs, help and further information on our products please contact us at:

Smirthwaite USA LLC
405 Lexington Avenue
26th Floor
New York
NY10174

t.(212) 541 2455
e.info@smirthwaite.com



9.0 SERVICE INSPECTION

9.1 Product Information

Model:	
Size:	
Date of Manufacture:	
Serial Number:	
Final Inspection:	

9.2 Service & inspection record form:

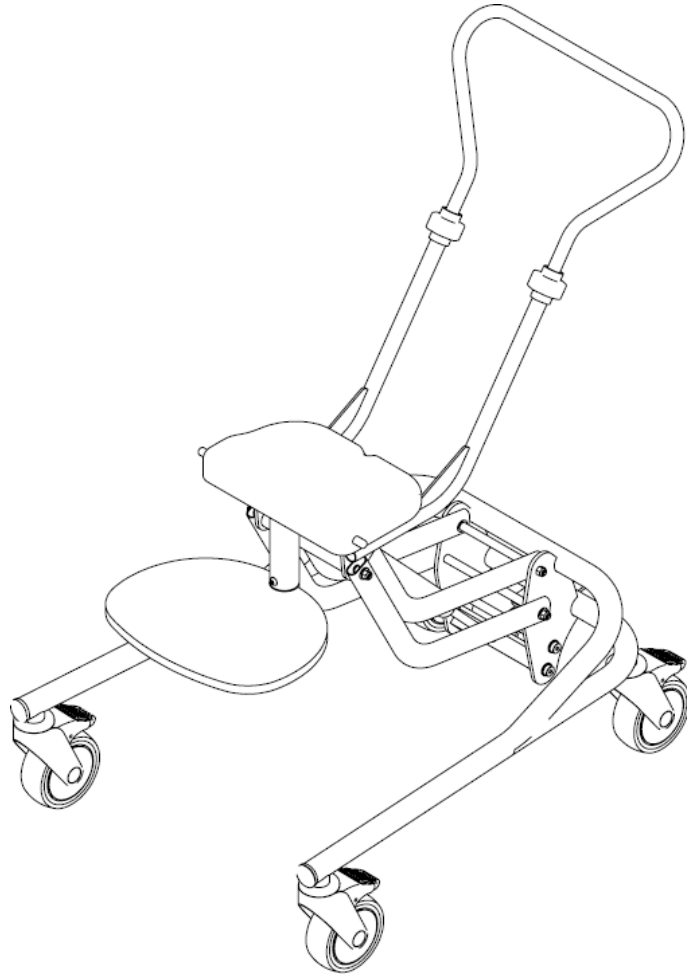
Date	Procedure	Service Personnel



3. JUNI HI LO

INSTRUCTIONS FOR USE

Codes HL111-HL142




CONTENTS	PAGE
1.0 INTRODUCTION	38
2.0 ILLUSTRATION & TECHNICAL DATA	39
3.0 FOR YOUR SAFETY	40
4.0 UNPACKING AND ASSEMBLING YOUR JUNI HI LO	41
5.0 SETTING UP AND ADJUSTING YOUR JUNI HI LO	42
6.0 CARE & MAINTENANCE	45
7.0 WARRANTY & SERVICE	48
8.0 CONTINUOUS IMPROVEMENT	48
9.0 SERVICE INSPECITON	49

1.0 INTRODUCTION

Thank you for choosing the Smirthwaite USA LLC Juni Hi Lo product.

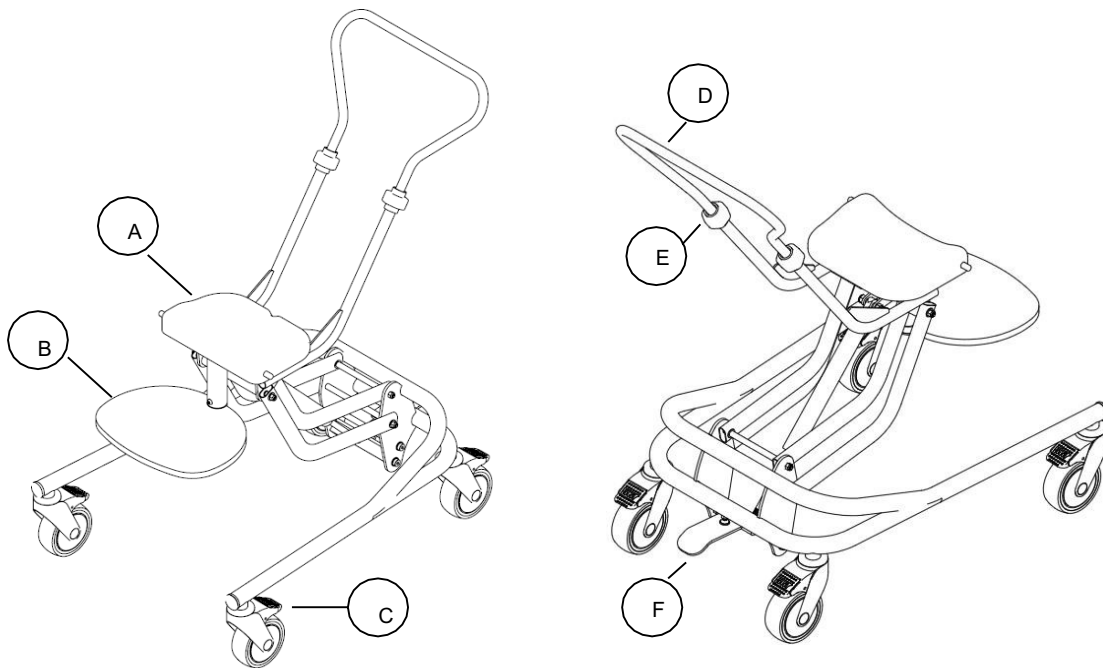
The Juni Hi Lo chassis has been designed to provide a quick and simple way to achieve extra height for your child when seated in his or her Juni chair.

By depressing the simple foot pedal, the Juni chair seat height can be adjusted across its range from floor level to maximum height. At its minimum setting, the footplate is flat to the floor, enabling transfer in and out of the chair. At its maximum setting the Juni chair is positioned at a height ideal for inclusion in activities such as feeding and learning in both home and school environments.

	IMPORTANT!
<p>These instructions should be read by all therapists and care givers using the equipment and should be retained for future reference. The product should always be used under adult supervision.</p> <p>Any incorrect use of the product and failure to follow the instructions may put the user at risk or impede the function. If you have any questions using this product or wish for further copies, please do not hesitate to contact Customer Service department on (1) 212 541 2455.</p> <p>This product has been designed and manufactured specifically and solely for use by clients with special needs.</p>	



2.0 ILLUSTRATION OF YOUR JUNI HI LO



- A. Seat interface plate
- B. Height adjustable footplate
- C. Casters, with brakes

- D. Push handle
- E. Grip locks
- F. Foot pedal for height adjustment

2.1 PRODUCT CODES REFERENCE TABLE

Size/Color	Red	Lime	Blue	Natural wood
1	HL111	HL121	HL131	HL141
2	HL112	HL122	HL132	HL142

2.2 TECHNICAL DATA

SIZE	1		2	
	Min	Max	Min	Max
Dimension				
Seat height from floor (in)	6.2	22.4	7.8	22.4
Lower leg length to footrest (in)	6.2	8.6	7.8	11
Push handle height (in)	19.6	39.3	19.6	39.7
Base length and width (in)	25.5 x 20.4		25.5 x 20.4	
User weight limit (lbs)	1.1		1.5	
Overall product weight (lbs)	0.4		0.4	



3.0 FOR YOUR SAFETY



STOP!

Please read these instructions CAREFULLY and THOROUGHLY.

- The user should **NOT** be left unattended while in the product. Always ensure a responsible therapist or care giver is in attendance.
- The care giver should be familiar with the methods of adjustment and have completed all adjustments appropriately to meet the needs of the child before transferring the child onto the product.
- Regular maintenance checks and cleaning are essential for the safe use of this equipment (see care and maintenance section).
- Ensure that all nuts, bolts and hand wheels are securely tightened and that none are missing.
- The Hi Lo chassis is **ONLY** to be used indoors on a flat level surface.
- **ONLY** adjust the seat height with all 4 caster brakes applied.
- The footplate/rest should **NOT** be used as a transfer step – always lower the footplate to floor level to transfer.
- Always fasten the lap strap harness and any other straps provided with the product or matching Juni chair.
- Always keep this product away from flames, cigarettes and sources of heat including open fireplaces, radiators and heaters.
- **DO NOT** fit parts or accessories of other manufacturers to this product unless authorized to do so in writing by Smirthwaite USA LLC Failure to follow these instructions will not only invalidate the guarantee but could make the product dangerous to use. Smirthwaite USA LLC will not accept liability for any injury or damage incurred through such malpractices.
- Any repairs required must be carried out by Smirthwaite USA LLC authorized personnel
- If you believe the product or any fitted accessory to be faulty at any time, **DO NOT USE** – contact Smirthwaite by telephone on (1) 212 541 2455.



4.0 UNPACKING AND ASSEMBLING YOUR JUNI HI LO

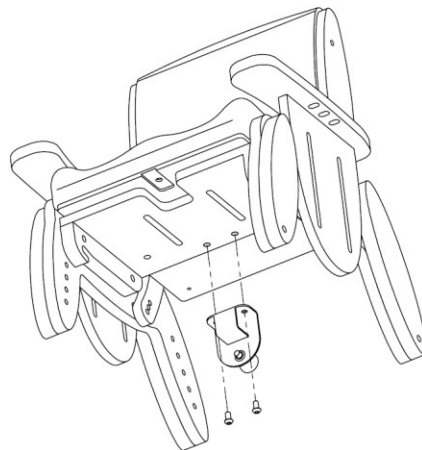


STOP!

If in any doubt, ALWAYS seek ADVICE.

Always turn hand wheels, levers and screws clockwise to tighten or anti-clockwise to loosen.

- When delivered, the product will be supplied fully assembled, with the exception of the attachment of the seat bracket to your existing Juni Size 1 or Size 2 chair.
- The seat bracket provided should be fixed to the rear underside of your Juni Chair as shown below by inserting 2 x M6x12 screws (supplied).
- Ensure all screws are tightened before use.



STOP!

If you believe this product to be faulty – DO NOT USE – Contact Smirthwaite on (1) 212 541 2455



5.0 SETTING UP AND ADJUSTING YOUR JUNI HI LO



STOP!

If in any doubt, **ALWAYS** seek **ADVICE**.

Always turn hand wheels, levers and screws clockwise to tighten or anti-clockwise to loosen.

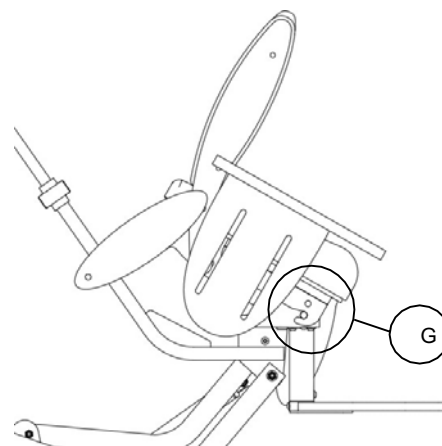
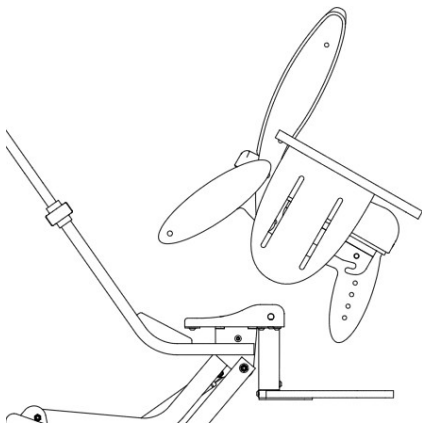
5.1 ATTACHING YOUR JUNI CHAIR TO YOUR JUNI HI LO



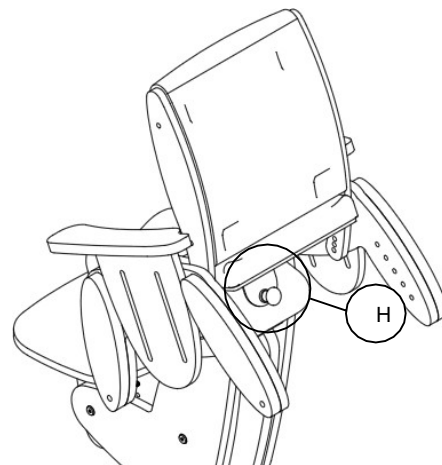
STOP!

NEVER undertake these steps with a child in the Juni Chair

- Offer up the Juni chair to the seat interface plate as shown below.
- The chair seat batten should hook over two metal pins (G) on the seat interface plate (one each side).

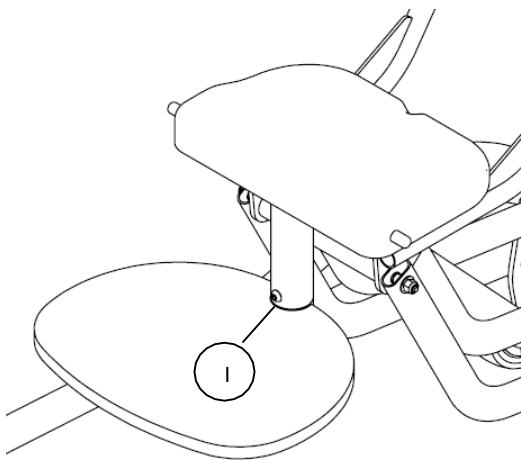


- Double check the metal pins are both engaged into the chair battens before proceeding further.
- Rotate the chair to the horizontal, and ensure the safety catch (H) clicks/locks onto the Juni Hi Lo seat interface plate.
- Double check engagement by trying to remove the chair; it should **NOT** be possible to remove the chair without firstly pulling safety catch (H) to release.

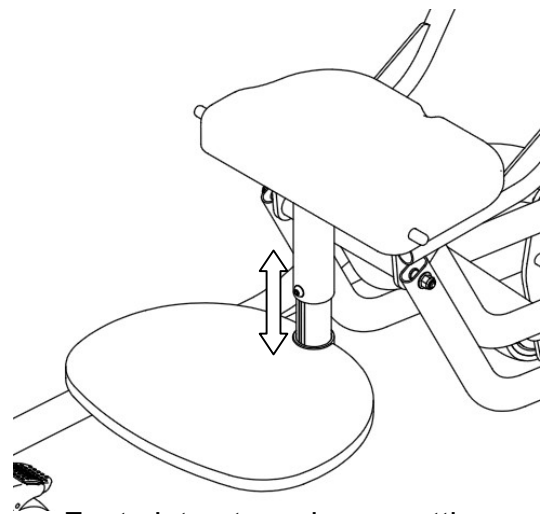


5.2 ADJUSTING THE FOOTPLATE HEIGHT

- The footplate height can be adjusted to suit your client's needs.
- Locate and loosen the button head screw (I) using the hex driver provided.
- While loose, the footplate can be raised or lowered to the desired height setting.
- Retighten the button head screw (I) when finished.
- Ensure the screw is fully tightened before use.
- The footplate should **NOT** be used as a transfer step – always lower the height of the Juni Hi-Lo to floor level before transferring your client onto the seat.



Foot plate at minimum setting

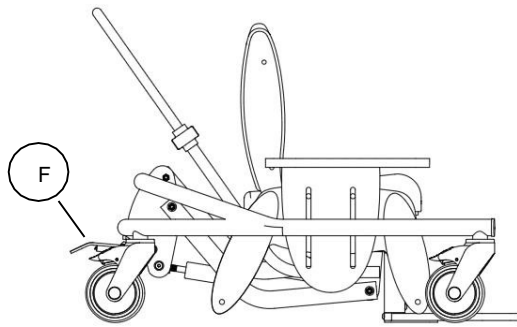


Foot plate at maximum setting

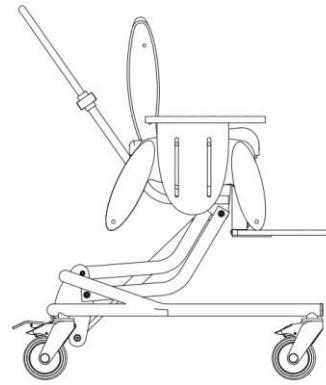
5.3 ADJUSTING THE SEAT HEIGHT

- The seat height can be adjusted to suit your client's needs.
- ***We advise that the seat height is adjusted with all 4 caster brakes applied.***
- Hold the push handle, then locate and depress the foot pedal (F) at the rear of the chassis.
- While the foot pedal is depressed, the seat can be raised or lowered to the desired height setting.
- Release the foot pedal to lock the seat at the height setting.
- The foot pedal can be retracted (for security/storage), by simply rotating through 90° when not in use – it is possible to do this with your tip of your shoe.





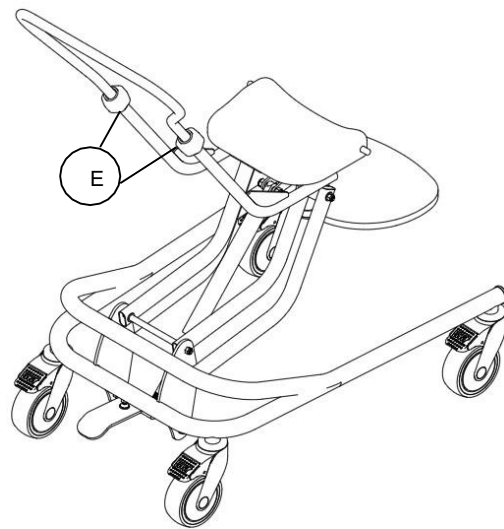
Seat at lowest setting



Seat at highest setting

5.4 ADJUSTING THE PUSH HANDLE HEIGHT

- The push handle height can be adjusted to suit the care giver's requirement for comfort and use.
- To adjust, firstly locate and loosen the grip locks (E).
- Lift or lower the handle to the desired height.
- To lock into position, retighten the grip locks (E).



6.0 CARE AND MAINTENANCE



IMPORTANT!

CLEANING IS RECOMMENDED ON A REGULAR BASIS

- Clean wooden and metal parts with a damp cloth and mild detergent.
- Stubborn marks on the woodwork should be cleaned using a soft brush.
- Do not soak or immerse the product in water.
- Store the product in a cool dry place and out of direct sunlight.
- DO NOT use bleach, solvents, abrasives, synthetic detergents, wax polishes, antibacterial sprays or wipes.

6.1 DAILY CHECKS

- Check for signs of wear, tear or damage.
- Check for missing parts.
- Check that all screws are present and tighten correctly, and are not cross-threaded or damaged.
- Check all straps for fraying, and that buckles are not missing/damaged.
- Check the brakes on each caster operate correctly.
- Always check the Juni Chair can be securely fixed to the Juni Hi Lo chassis **before** sitting a child into the chair. Check the fixing pins are present and secure on the seat interface place, and that the rear safety catch operates correctly.

6.2 SERVICE INTERVAL

The Juni Hi Lo chassis should be serviced every 3 years. Servicing must only be undertaken by Smirthwaite USA LLC authorized personnel.



6.3 NOMINAL SERVICE LIFE

Your product has a nominal service life of 12 years, during which full post-sales support will be available with regard to parts and servicing.

Product service life has been determined based upon the design complexity of product, and the anticipated exposure to normal use.

Good practice dictates all Smirthwaite products have been designed and manufactured to high levels of safety and quality, and will meet requirements of normal use when maintained in line with our servicing recommendations.



STOP!

If the product has been out of use for an extended period of time (6 months or more) it should always be serviced prior to being reissued.

If the product has been subjected to 'heavy' or 'constant' use, the service should be reduced to half the recommended period.

Constant and/or heavy use is considered to be:

- Daily use above 7 hours duration.
- Weekly use above 5 days duration.
- Monthly use above 10 months per year.
- Use by a client who is at 90% to 100% of the maximum weight limit of the product. The maximum weight limit must **NEVER** be exceeded.
- Use by a client who is extremely active, either voluntarily or involuntarily.



6.4 EXTENDING NOMINAL SERVICE LIFE

At Smirthwaite USA LLC we are proud to produce products that have a reputation for quality and durability.

We believe our products have the potential to provide benefits to our clients beyond the nominal service life documented above.

We will continue to provide full support beyond the nominal service life provided the following conditions are met:

- A full-service schedule has been maintained. (Please refer to Page 14).
- A full-service and inspection is undertaken at the end of the nominal service life period.
- The product is subsequently serviced annually (or biannually if under 'heavy/constant' use conditions).
- Smirthwaite USA LLC reserve the right to limit support where parts/components are no longer available.

6.5 DOCUMENTATION/RECORDS

- It is the responsibility of the current equipment owner to ensure the 'Instructions for Use' manual and any further manuals for accessories fitted to the equipment are handed over to the new owner at the time of exchange/sale
- It is the responsibility of the current equipment owner to ensure the service and inspection record form is kept up to date

6.6 PRODUCT CONFIGURATION

- Smirthwaite USA LLC will document and maintain a record of the original product configuration at the time of first sale.
- Smirthwaite USA LLC will not be held responsible for any subsequent changes to this configuration unless authorized to do so in writing by Smirthwaite USA LLC.
- It is the equipment owner's responsibility to maintain their own records of changes to the equipment configuration and to be able to provide such records to subsequent owners to maintain traceability.
- We recommend an inspection/service by Smirthwaite USA LLC authorized personnel whenever a significant change is made to product configuration to ensure the product is safe to use. **If in any doubt, ALWAYS seek ADVICE.**





IMPORTANT REMINDER!

DO NOT fit parts or accessories of other manufacturers to this product unless authorized to do so in writing by Smirthwaite USA LLC.

Any servicing or repairs required must be carried out by Smirthwaite USA LLC authorized personnel.

If you believe this product to be faulty – DO NOT USE – Contact Smirthwaite USA LLC on T: (1) 212 541 2455.

If in any doubt, ALWAYS seek ADVICE.

7.0 WARRANTY & SERVICE

Smirthwaite warrants the products detailed on your order to be free from defects in materials and workmanship for a period of 2 years from date of delivery. If a fault develops during this period, please contact the Customer Service team by email info@smirthwaite.com or phone (1) 212 541 2455 who will advise you on the best course of action.

The warranty excludes faults due to accident, neglect, misuse, not following the Instructions and normal wear and tear. This guarantee is in addition to your legal rights. A charge may be made where the goods cannot be repaired under the warranty. You will be advised before this is made.

8.0 CONTINUOUS IMPROVEMENT

Smirthwaite USA LLC are committed to continuous improvement to their product range. Should you have any suggestions or comments please send them to our product design department at: info@smirthwaite.com

Smirthwaite USA LLC reserve the right to change the specification or material without prior notice.

For catalogs, help and further information on our products please contact us at:

Smirthwaite USA LLC
405 Lexington Avenue
26th Floor
New York
NY10174

t.(212) 541 2455
e.info@smirthwaite.com



9.0 SERVICE INSPECTION

9.1 Product Information

Model:	
Size:	
Date of Manufacture:	
Serial Number:	
Final Inspection:	

9.2 Service & inspection record form:

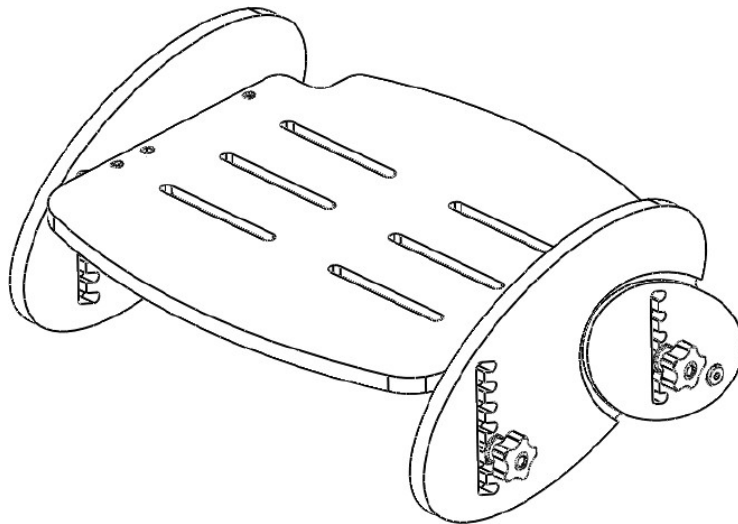
Date	Procedure	Service Personnel



4. Juni Adjustable Footrest

INSTRUCTIONS FOR USE

Codes FR051 – FR054




CONTENTS	PAGE
1.0 INTRODUCTION	51
2.0 ILLUSTRATION & TECHNICAL DATA	52
3.0 FOR YOUR SAFETY	53
4.0 UNPACKING AND ASSEMBLING YOUR JUNI ADJUSTABLE FOOTREST	54
5.0 SETTING UP AND ADJUSTING YOUR JUNI ADJUSTABLE FOOTREST	55
6.0 CARE & MAINTENANCE	56
7.0 WARRANTY & SERVICE	57
8.0 CONTINUOUS IMPROVEMENT	57
9.0 SERVICE INSPECTION	58

1.0 INTRODUCTION

Thank you for choosing the Smirthwaite Juni Adjustable Footrest.

The Juni Adjustable Footrest is a height and angle adjustable footrest that can be attached to your Juni chair, or left unattached to function as an independent footrest.

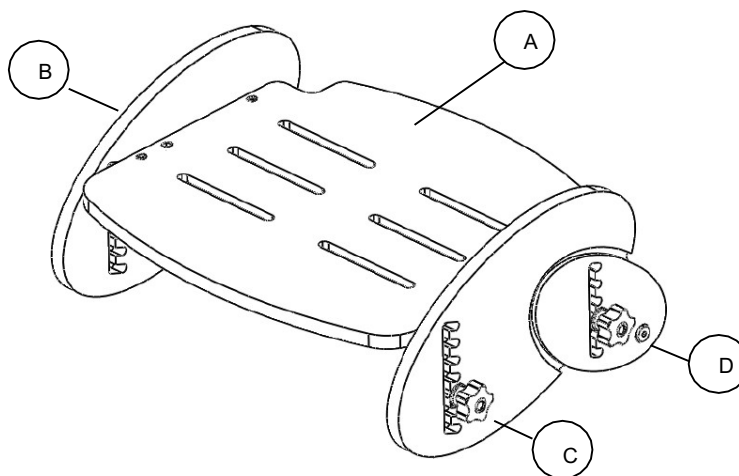
The side height has been designed specifically to ensure correct the child's feet are kept in the correct position.

	<p>IMPORTANT!</p> <p>These instructions should be read by all therapists and care givers using the equipment and should be retained for future reference. The product should always be used under adult supervision.</p> <p>Any incorrect use of the product and failure to follow the instructions may put the user at risk or impede the function. If you have any questions using this product or wish for further copies, please do not hesitate to contact Customer Service department on (1) 212 541 2455.</p>
---	---



2.0 ILLUSTRATION OF YOUR JUNI ADJUSTABLE FOOTREST

- A. Foot plate
- B. Foot rest side
- C. Hand wheels for adjusting angle & height
- D. Fixing hole



2.1 PRODUCT CODES REFERENCE TABLE


Size/Color	Natural Wood
1	FR051
2	FR052
3	FR053
4	FR054

2.2 TECHNICAL DATA

SIZE	1	2	3	4
Width (in)	12.9	14.9	16.3	18.7
Depth (in)	11.4	12.5	13.5	16.9
Foot plate height min (in)	1.8	1.8	1.8	2.2
Foot plate height max (in)	5.7	5.7	6.5	7.7
Adjustment increments (in)	0.7	0.7	0.7	0.7




3.0 FOR YOUR SAFETY

	STOP!
	Please read these instructions CAREFULLY and THOROUGHLY.

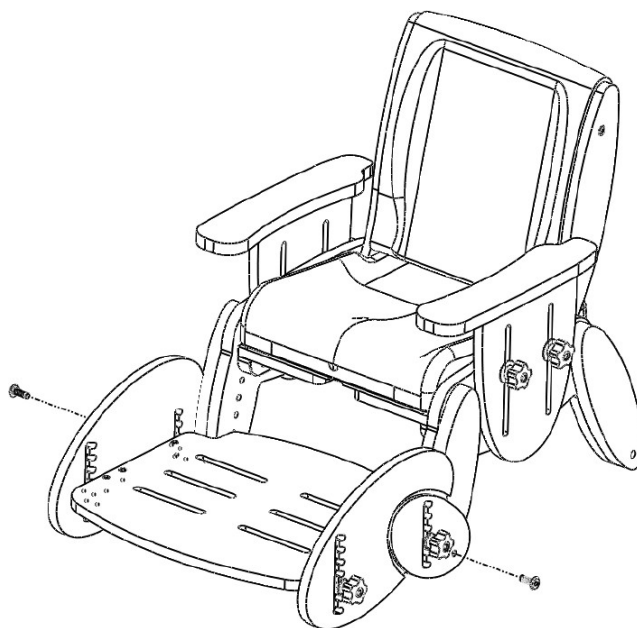
- The user should **NOT** be left unattended while in the product. Always ensure a responsible therapist or care giver is in attendance.
- The care giver should be familiar with the methods of adjustment and have completed all adjustments appropriately to meet the needs of the child before transferring the child onto the product.
- Regular maintenance checks and cleaning are essential for the safe use of this equipment (see care and maintenance section).
- Ensure that all nuts, bolts and hand wheels are securely tightened and that none are missing.
- This product is **ONLY** to be used indoors on a flat level surface.
- Always fasten the lap strap harness and any other straps provided with the matching Juni Chair.
- Always keep this product away from flames, cigarettes and sources of heat including open fireplaces, radiators and heaters.
- **DO NOT** fit parts or accessories of other manufacturers to this product unless authorized to do so in writing by Smirthwaite USA LLC Failure to follow these instructions will not only invalidate the guarantee but could make the product dangerous to use. Smirthwaite USA LLC will not accept liability for any injury or damage incurred through such malpractices.
- Any repairs required must be carried out by Smirthwaite USA LLC authorized personnel.
- If you believe the product or any fitted accessory to be faulty at any time, **DO NOT USE** – contact Smirthwaite USA LLC by telephone on (1) 212 541 2455.




4.0 UNPACKING AND ASSEMBLING YOUR JUNI ADJUSTABLE FOOTREST

	STOP!
	<p>If in any doubt, ALWAYS seek ADVICE.</p> <p>Always turn hand wheels, levers and screws clockwise to tighten or anti-clockwise to loosen.</p>

- When delivered, the product will be supplied fully assembled or flat packed. Please refer to the Quick Set up Guide for assembly instructions if this product has been ordered flat packed.
- The footrest can be left unattached from the Juni chair to act as an independent footrest, or attached to the front legs of the Juni chair.
- To attach the footrest to the front legs of the Juni chair, simply align the footrest correctly to the front of the chair and insert the two M6 x 25 socket screws as shown below. A hex key is provided.




- Ensure all screws and hand wheels are tightened before use.

	STOP!
	<p>If you believe this product to be faulty – DO NOT USE – Contact Smirthwaite USA LLC on T: (1) 212 541 2455.</p>



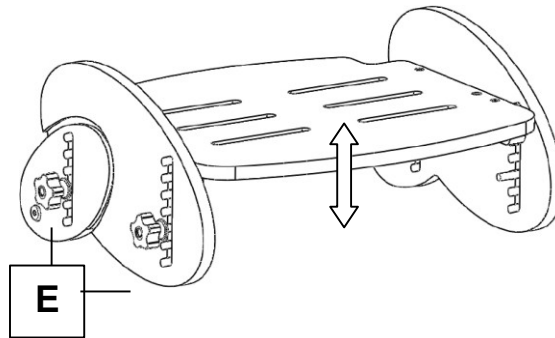
5.0 SETTING UP AND ADJUSTING YOUR JUNI ADJUSTABLE FOOTREST

	STOP!
	If in any doubt, ALWAYS seek ADVICE.
	Always turn hand wheels, levers and screws clockwise to tighten or anti-clockwise to loosen.

5.1 ADJUSTING YOUR JUNI ADJUSTABLE FOOTREST

5.1.1 FOOTREST HEIGHT

- The footrest top plate adjusts up and down within the safety slots provided at each end.
- Loosen the four hand wheels, two found at each end of the footrest (E).
- Select the most appropriate slot on each end of the footrest to set the desired height you wish to achieve.
- Re-tighten the hand wheels before use (E).



5.1.2 FOOTREST ANGLE

- To slope the footrest (change angle), set the front two hand wheels at a different position to the rear set of hand wheels.



6.0 CARE AND MAINTENANCE

	IMPORTANT!
	CLEANING IS RECOMMENDED ON A REGULAR BASIS

- Clean wooden and metal parts with a damp cloth and mild detergent.
- Stubborn marks on the woodwork should be cleaned using a soft brush.
- Do not soak or immerse the product in water.
- Store the product in a cool dry place and out of direct sunlight.
- DO NOT use bleach, solvents, abrasives, synthetic detergents, wax polishes, antibacterial sprays or wipes.

6.1 DAILY CHECKS

- Check for signs of wear, tear or damage.
- Check for missing parts.
- Check that all screws are present and tighten correctly, and are not cross-threaded or damaged.
- Check all straps for fraying, and that buckles are not missing/damaged.

6.2 SERVICE INTERVAL

The Juni Adjustable Footrest should be serviced every 3 years. Servicing must only be undertaken by Smirthwaite USA LLC authorized personnel.



7.0 WARRANTY & SERVICE

Smirthwaite warrants the products detailed on your order to be free from defects in materials and workmanship for a period of 2 years from date of delivery. If a fault develops during this period, please contact the Customer Service team by email info@smirthwaite.com or phone (1) 212 541 2455 who will advise you on the best course of action.

The warranty excludes faults due to accident, neglect, misuse, not following the Instructions and normal wear and tear. This guarantee is in addition to your legal rights. A charge may be made where the goods cannot be repaired under the warranty. You will be advised before this is made.

8.0 CONTINUOUS IMPROVEMENT

Smirthwaite USA LLC are committed to continuous improvement to their product range. Should you have any suggestions or comments please send them to our product design department at: info@smirthwaite.com

Smirthwaite USA LLC reserve the right to change the specification or material without prior notice.

For catalogs, help and further information on our products please contact us at:

Smirthwaite USA LLC
405 Lexington Avenue
26th Floor
New York
NY10174

t.(212) 541 2455
e.info@smirthwaite.com



9.0 SERVICE INSPECTION

9.1 Product Information

Model:	
Size:	
Date of Manufacture:	
Serial Number:	
Final Inspection:	

9.2 Service & inspection record form:

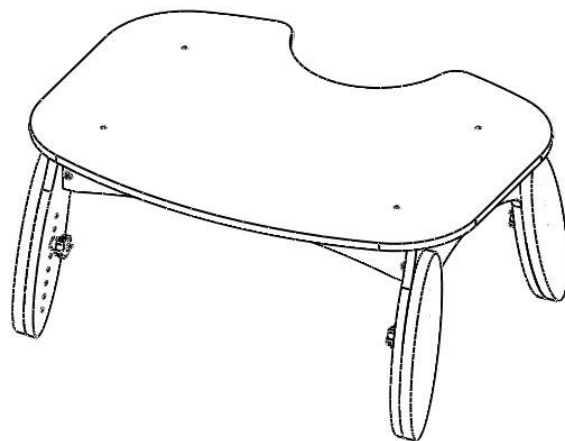
Date	Procedure	Service Personnel



5. JUNI TABLE

INSTRUCTIONS FOR USE

Codes 2411-2442



CONTENTS	PAGE
1.0 INTRODUCTION	60
2.0 ILLUSTRATION & TECHNICAL DATA	61
3.0 FOR YOUR SAFETY	61
4.0 UNPACKING YOUR JUNI TABLE	62
5.0 SETTING UP AND ADJUSTING YOUR JUNI TABLE	63
6.0 STORING YOUR JUNI TABLE	63
7.0 CARE AND MAINTENANCE	64
8.0 WARRANTY & SERVICE	67
9.0 CONTINUOUS IMPROVEMENT	67
10.0 SERVICE INSPECTION	68

1.0 INTRODUCTION

Thank you for choosing your new Juni Table.

Your Juni Table has been designed with simplicity and adjustability in mind, and is ideal for younger children at nursery, school and home. The table height can be simply adjusted to ensure good seating posture, and when not required the table can be folded to permit easy storage



IMPORTANT!

These instructions should be read by all therapists and care givers using the equipment and should be retained for future reference. The product should always be used under adult supervision.

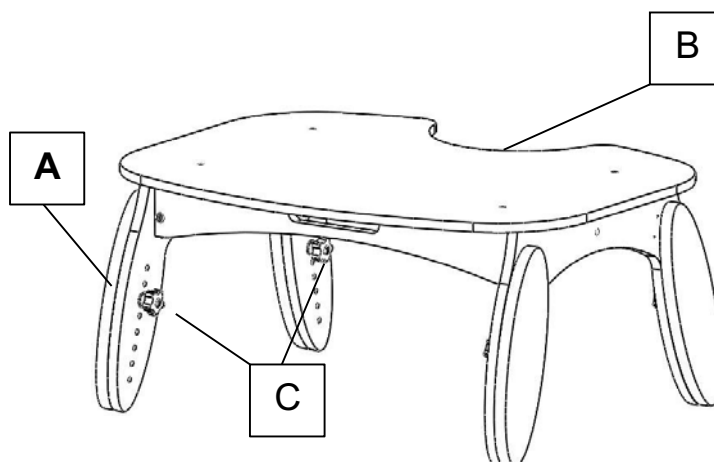
Any incorrect use of the product and failure to follow the instructions may put the user at risk or impede the function. If you have any questions using this product or wish for further copies, please do not hesitate to contact Customer Service department on (1) 212 541 2455.

This product has been designed and manufactured specifically and solely for use by clients with special needs.



2.0 ILLUSTRATION OF YOUR JUNI TABLE

- A: Leg outrigger
(x 4)
- B: Cut out
- C: Hand wheels



2.1 TECHNICAL DATA

SIZE	1	2	COLOR	CODE	
Width (in)	27.5	30.7	Red Top	2411	2412
Depth (in)	20.8	23.2	Lime Top	2421	2411
Height (in)	12.2-17.7	15.7-23.6	Blue Top	2431	2432
			Natural Top	2441	2442

3.0 FOR YOUR SAFETY



STOP!

Please read these instructions CAREFULLY and THOROUGHLY.

- The user should NOT be left unattended while using the table. Always ensure a responsible adult or care giver is in attendance.
- The care giver should be familiar with the methods of adjustment and have completed all adjustments appropriately to meet the needs of the child before use.
- Regular maintenance checks and cleaning are essential for the safe use of this equipment (see care and maintenance section).
- If any part is loose, damaged or functioning incorrectly, do not use until rectified.




- The Juni Table is intended for **indoor** use only.
- Ensure that all nuts, bolts and handwheels are securely tightened and that none are missing.
- Always keep this product away from flames, cigarettes and sources of heat including open fireplaces, radiators, heaters.
- The table is **ONLY** to be used on a flat level surface.
- **DO NOT** fit parts or accessories of other manufacturers to this product unless authorized to do so in writing by Smirthwaite USA LLC Failure to follow these instructions will not only invalidate the guarantee but could make the chair dangerous to use. Smirthwaite USA LLC will not accept liability for any injury or damage incurred through such malpractices. Any repairs required must be carried out by Smirthwaite USA LLC authorized personnel.

If you believe this product to be faulty **-DO NOT USE-**Contact Smirthwaite USA LLC on (1) 212 541 2455.

4.0 UNPACKING YOUR JUNI TABLE

- The Juni Table is supplied fully assembled.
- Please take note of any instructions on the packaging/box when unpacking.
- Once the table has been carefully unpacked, please check all parts.
- If any part is loose, damaged or functioning incorrectly, do not use until rectified.

Should you wish to query any aspect of your product, please contact Smirthwaite USA LLC Customer Services on (1) 212 541 2455 or info@smirthwaite.com

	STOP!
	<p>If you believe this product to be faulty – DO NOT USE – Contact Smirthwaite USA LLC on (1) 212 541 2455</p>

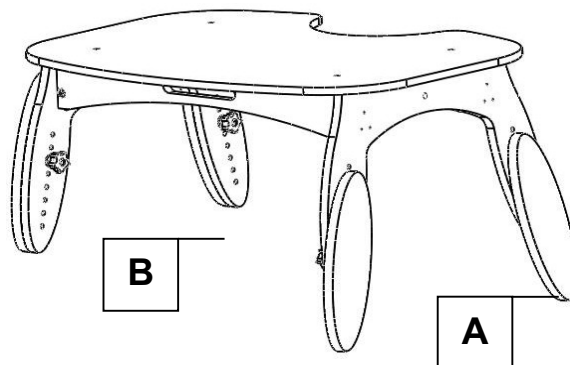


5.0 SETTING UP AND ADJUSTING YOUR JUNI TABLE

5.1 HEIGHT

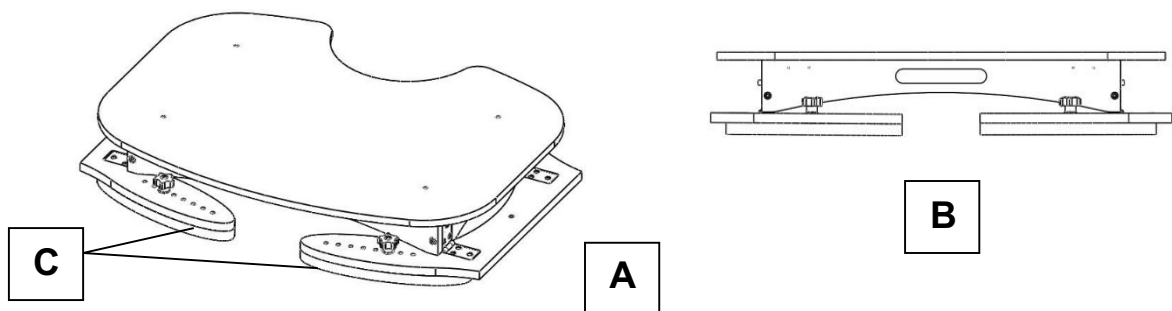
Your Juni Table is fitted with four Outrigger Legs (A) permitting table height adjustments.

For each Outrigger Leg, identify and remove the hand wheel (B) and position each leg to the desired height. Refit each hand wheel, ensuring it has been tightly fitted and that each leg is at the same height.

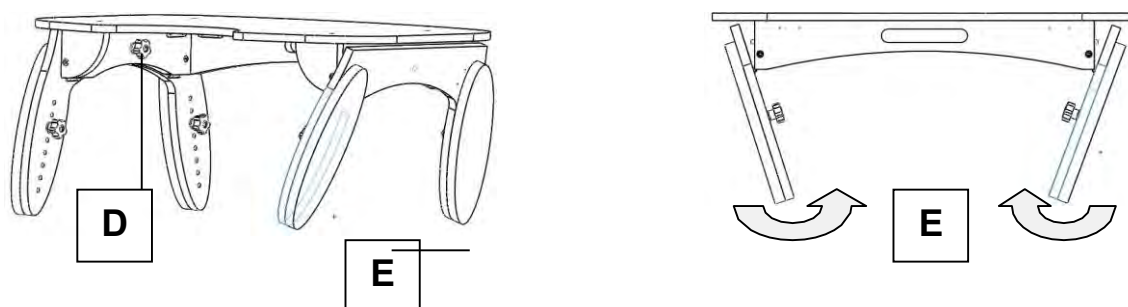


6.0 STORING YOUR JUNI TABLE

The Juni personal table is fitted with a mechanism for folding each pair of legs underneath the table top, as shown below (A). This permits stable stacking and easy storage. Additionally, the table has a carrying handle to ease transport (B). Please note the leg out riggers (C) must be fitted at their minimum setting to ensure flat storage.



To fold the table, firstly locate and remove the two handwheels situated on the underside of the table top (D). This will permit each leg pair to fold upwards (E). When leaving the table folded flat, it is recommended that the two handwheels (D) are wound back into their respective fixing sockets to prevent them becoming misplaced.




7.0 CARE AND MAINTENANCE

All our wooden products are easy to clean.

	IMPORTANT! CLEANING IS RECOMMENDED ON A REGULAR BASIS
---	--

- Clean wooden parts with a damp cloth and mild detergent.
- Stubborn marks on the woodwork should be cleaned by using a soft brush.
- Do not soak or immerse the table in water.
- Store the table in a cool dry place out of direct sunlight.
- DO NOT use bleach, solvents, abrasives, synthetic detergents, wax polishes, antibacterial sprays or wipes.

	IMPORTANT! REGULAR MAINTENANCE CHECKS ARE REQUIRED
---	---

7.1 DAILY CHECKS

- Check the product for damage or loose components.



- Check the structure of the product for signs of damage wear and tear.
- Keep all parts clean.

7.2 SERVICE INTERVAL

The Juni table should be serviced every 3 years. Servicing must only be undertaken by Smirthwaite USA LLC authorized personnel.

7.3 NOMINAL SERVICE LIFE

Your product has a nominal service life of 12 years, during which full post-sales support will be available with regard to parts and servicing.

Product service life has been determined based upon the design complexity of product, and the anticipated exposure to normal use.

Good practice dictates all Smirthwaite USA LLC products have been designed and manufactured to high levels of safety and quality, and will meet requirements of normal use when maintained in line with our servicing recommendations.



STOP!

If the product has been out of use for an extended period of time (6 months or more) it should always be serviced prior to being reissued.

If the product has been subjected to 'heavy' or 'constant' use, the service should be reduced to half the recommended period.

Constant and/or heavy use is considered to be:

- Daily use above 7 hours duration.
- Weekly use above 5 days duration.
- Monthly use above 10 months per year.
- Use by a client who is at 90% to 100% of the maximum weight limit of the product. The maximum weight limit must **NEVER** be exceeded.
- Use by a client who is extremely active, either voluntarily or involuntarily.



7.4 EXTENDING NOMINAL SERVICE LIFE

At Smirthwaite USA LLC we are proud to produce products that have a reputation for quality and durability.

We believe our products have the potential to provide benefits to our clients beyond the nominal service life documented above.

We will continue to provide full support beyond the nominal service life provided the following conditions are met:

- A full service schedule has been maintained. (Please refer to Page 13).
- A full service and inspection is undertaken at the end of the nominal service life period.
- The product is subsequently serviced annually (or biannually if under 'heavy/constant' use conditions).
- Smirthwaite USA LLC reserve the right to limit support where parts/components are no longer available.

7.5 DOCUMENTATION/RECORDS

- It is the responsibility of the current equipment owner to ensure the 'Instructions for Use' manual and any further manuals for accessories fitted to the equipment are handed over to the new owner at the time of exchange/sale.
- It is the responsibility of the current equipment owner to ensure the service and inspection record form is kept up to date.

7.6 PRODUCT CONFIGURATION

- Smirthwaite USA LLC will document and maintain a record of the original product configuration at the time of first sale.
- Smirthwaite USA LLC will not be held responsible for any subsequent changes to this configuration unless authorized to do so in writing by Smirthwaite USA LLC.
- It is the equipment owner's responsibility to maintain their own records of changes to the equipment configuration and to be able to provide such records to subsequent owners to maintain traceability.
- We recommend an inspection/service by Smirthwaite USA LLC authorized personnel whenever a significant change is made to product configuration to ensure the product is safe to use. **If in any doubt, ALWAYS seek ADVICE.**





IMPORTANT REMINDER!

DO NOT fit parts or accessories of other manufacturers to this product unless authorized to do so in writing by Smirthwaite USA LLC.

Any servicing or repairs required must be carried out by Smirthwaite USA LLC authorized personnel.

If you believe this product to be faulty – DO NOT USE – Contact Smirthwaite USA LLC on T: (1) 212 541 2455.

If in any doubt, ALWAYS seek ADVICE.

8.0 WARRANTY & SERVICE

Smirthwaite warrants the products detailed on your order to be free from defects in materials and workmanship for a period of 2 years from date of delivery. If a fault develops during this period, please contact the Customer Service team by email info@smirthwaite.com or phone (1) 212 541 2455 who will advise you on the best course of action.

The warranty excludes faults due to accident, neglect, misuse, not following the Instructions and normal wear and tear. This guarantee is in addition to your legal rights. A charge may be made where the goods cannot be repaired under the warranty. You will be advised before this is made.

9.0 CONTINUOUS IMPROVEMENT

Smirthwaite USA LLC are committed to continuous improvement to their product range. Should you have any suggestions or comments please send them to our product design department at: info@smirthwaite.com.

Smirthwaite USA LLC reserve the right to change the specification or material without prior notice.

For catalogs, help and further information on our products please contact us at:

Smirthwaite USA LLC
405 Lexington Avenue
26th Floor
New York
NY10174

t.(212) 541 2455
e.info@smirthwaite.com



10.0 SERVICE INSPECTION

10.1 Product Information

Model:	
Size:	
Date of Manufacture:	
Serial Number:	
Final Inspection	

10.2 Service & inspection record form:

Date	Procedure	Service Personnel





Smirthwaite USA LLC, 405 Lexington Avenue, 26th Floor, New York, NY10174
T: (212) 541 2455 E: info@smirthwaite.com www.smirthwaite.com

